



BT-1002

Cable Extension

- 24Kt. Gold Finish, **Solid Brass**.
- **Accept 1/0 And 2 Gauge Power Cables.**
- Net Weight : 50 Gram



Silicon Covers Are Available

- For CQ-BT-200, CQ-BT-500-2RT, CQ-BT-700 , CQ-BTC-1



SC-1

SC-2

SC-3

SC-4

SC-5

BT-1007W

Multi-Feed Battery Connection System

- Metal Parts are Solid Brass and 24Kt. Gold Plated and Colour Coding.
- Cable Pressure Type, **No Screw/ Crimping** Required.
- Perfect Fit for **One 4 Gauge And Two 8 Gauge** Cable Wire.
- Connect Bases are Precision Machined from Solid Brass.
- Wire Directly Connect with Brass for Good Conduction, Low Resistance, Lower Temperature Rise.
- Available in Positive or Negative Terminal Models.



BT-1007WP Positive, Gold.

BT-1007WN Negative, Gold.

BT-1007WP(R) Positive, Red.

BT-1007WN(B) Negative, Black.

BT-1008

Multi-Feed Battery Connection System

- Multi-Feed Battery Terminals.
 - Unique Design Allows up to 3 Power Cables.
 - To be Connected Directly to the Battery Post.
 - These Units are Precision Machined from **Solid Brass**.
 - 24Kt. Gold Finish and **Colour Coding**.
 - Available in Positive or Negative Terminal Models.
 - Has 3 Separate Outputs: One up to 4 Gauge ,One up to 8 Gauge
 - Inner Steps Ensure Perfect Recessed Fit of Cable Jacket Into Block.
- BT-1008P Positive**, Gold.
BT-1008N Negative, Gold.
BT-1008P(R) Positive, Red.
BT-1008N(B) Negative, Black.



BT-1009

Battery Terminal

- 24Kt. Gold Finish, **Solid Brass**.
- Available In Positive Or Negative Terminal Models.
- Accept 5/16" Terminals On Top And One 8 Gauge Wire On Left Side.



BT-1009P Positive

BT-1009N Negative

BT-1010

Battery Terminal

- 24Kt. Gold Finish, **Solid Brass** Construction for Maximum Power Transfer.
 - Available In Positive Or Negative Terminal Models.
 - Accept 5/16" Terminals
- BT-1010P Positive**
BT-1010N Negative



BT-1011

Battery Terminal

- 24Kt. Gold Finish, **Solid Brass**.
- Available In Positive Or Negative Terminal Models.
- Accept 5/16" Terminals On Top And One 8 Gauge Wire On Each Side.



BT-1011P Positive

BT-1011N Negative

BT-1012

Multi-Feed Battery Connection System

- Multi-Feed Battery Terminals.
- Unique Design Allows up to 3 Power Cables.
- To be Connected Directly to the Battery Post.
- These Units are Precision Machined from **Solid Brass**.
- 24Kt. Gold Finish.
- Available in Positive or Negative Terminal Models.
- Has 3 Separate Outputs: One up to 4 Gauge ,Two up to 8 Gauge
- Inner Steps Ensure Perfect Recessed Fit of Cable Jacket Into Block.



BT-1012P Positive

BT-1012N Negative



Audio Accessory and Power Distribution Blocks

BT-1000-W



Multi-Feed Battery Connection System

- Metal Parts are **Solid Brass** and 24Kt. Gold Plated.
- Cable Pressure Type, **No Screw/** Crimping Required.
- Perfect Fit For One 1/0 Gauge, One 4 Gauge and Two 8 Gauge Power Cable.
- **Wire Directly Connect With Brass For Good Conduction, Low Resistance, Lower Temperature Rise.**
- Available in Positive or Negative Terminal Models.
BT-1000-WP Positive
BT-1000-WN Negative

BT-200W



Multi-Feed Battery Connection System

- Metal Parts are **Solid Brass** and 24Kt. Gold Plated.
- Cable Pressure Type, **No Screw/** Crimping Required.
- Perfect Fit for One 4 Gauge and Two 8 Gauge Cable Wire.
- Connect Bases are Precision Machined from Solid Brass.
- **Wire Directly Connect With Brass for Good Conduction, Low Resistance, Lower Temperature Rise.**
- Available in Positive or Negative Terminal Models.
BT-200WP Positive
BT-200WN Negative

BT-100W

Battery Terminal



- Metal Parts are Solid Brass and 24Kt. Gold Plated.
- Cable Pressure Type, No Screw/Crimping Required.
- Perfect Fit for 1/0 Gauge, and 4 Gauge Power Cable.
- Connect Bases are Precision Machined from Solid Brass.
- **Wire Directly Connect With Brass for Good Conduction, Low Resistance, Lower Temperature Rise.**
- Available in Positive or Negative Terminal Models.
BT-100WP-0 1/0 Gauge Positive
BT-100WN-0 1/0 Gauge Negative
BT-100WP-4 4 Gauge Positive
BT-100WN-4 4 Gauge Negative

MFB1-1W

In-line Fuseholder For (MAXI) Fuses



- Unique See-Through Material
- Molded form Clear High Temperature Poly-Carbonate
- All Metal Parts are 24Kt. Gold Plated.
- Accept AMT (MAXI) Fuse up to 80 Ampere
- Cable Pressure Type, **No Screw/** Crimping Required
- Perfect Fit for 8 Gauge and 4 Gauge Power Cable.
- Connect Bases are Precision Machined From **Solid Brass**
- **Wire Directly Connect With Brass for Good Conduction, Low Resistance, Lower Temperature Rise.**
- Available in 2 Different Wire Sizes
MFB1-1W-4 4 Gauge, Wire
MFB1-1W-8 8 Gauge, Wire

ATC1-1W

In-line Fuseholder For Blade Fuses



- Unique See-Through Material
- Molded form Clear High Temperature Poly-Carbonate
- All Metal Parts are 24Kt. Gold Plated.
- Accept ATQ (ATO) Fuse up to 40 Ampere
- Cable Pressure Type, **No Screw/** Crimping Required
- Perfect Fit for 8 Gauge Power Cable.
- Connect Bases are Precision Machined from **Solid Brass**
- **Wire Directly Connect With Brass for Good Conduction, Low Resistance, Lower Temperature Rise.**

BTC-W

Heavy Duty Ring Terminal



- Metal Parts are **Solid Brass** 24Kt. Gold Plated.
- Cable Pressure Type, **No Screw/** Crimping Required.
- Perfect Fit for 1/0 Gauge, 2 Gauge, 4 Gauge and 8 Gauge Power Cable.
- **Wire Directly Connect With Brass for Good Conduction, Low Resistance, Lower Temperature Rise.**
- Available in 4 Different Wire Sizes.
BTC-W-0 1/0 Gauge
BTC-W-2 2 Gauge
BTC-W-4 4 Gauge
BTC-W-8 8 Gauge

SB-L

Speaker Isolation Cones



- Reduces Unwanted Bass Resonance Transfer Between Speaker Cabinet and Floor.
- Comes Complete With Double Sided Foam Pads.
- Adjustable Height.
- Display Packaged for Resale.
- Four Cones Per Package.
- Provides Two Kinds of Material:
 -SB-L(B): High Quality **Solid Brass** Construction, Gold Plated.
 -SB-L(A): Aluminum Alloy with Anodize Treatment, Good for Acid/Alkali Proof & Anti-Corrosion, Available for 6 **Different Colors**.

SB-M

Speaker Isolation Cones



- Reduces Unwanted Bass Resonance Transfer Between Speaker Cabinet and Floor.
- High Quality **Solid Brass** Construction, Gold Plated.
- Holding Bar with Ring Rubber, Easy to Hold Top Cover.
- Comes Complete With Double Sided foam Pads.
- Adjustable Height.
- Display Packaged for Resale.
- Four Cones Per Package.



SB-S

Speaker Isolation Cones

- Reduces Unwanted Bass Resonance Transfer Between Speaker Cabinet and Floor.
- High Quality Solid Brass Construction, Gold Plated.
- Comes Complete With Double Sided Foam Pads.
- Adjustable Height.
- Display Packaged for Resale.
- Four Cones Per Package.



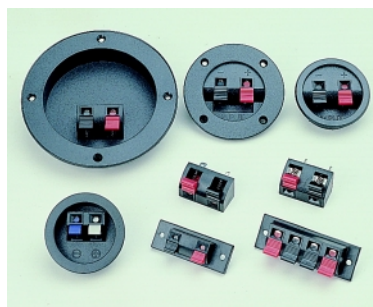
Gold Plated Speaker Terminals

- High Powered Speaker Terminals For Use With Heavy-Duty Speaker Wire.
- Made Of High-Quality Plastic Construction.
- **Gold Plated Binding Post, Solid Brass.**

- Available In Round, Square And Rectangular Bi-Wire With Bridge

| Mode | Type | Size(Inch) |
|---------|------------------|----------------|
| SA-SQ01 | Bi-Wiring/Bridge | 3-5/8 x 4-3/4 |
| SA-SQ02 | Bi-Wiring/Bridge | 3-5/8 x 4-3/4 |
| SA-SQ03 | Square | 3-5/8 x 3-1/8 |
| SA-RD01 | Round | 4-1/2 Diameter |
| SA-RD02 | Round | 4-1/8 Diameter |
| SA-RD03 | Round | 3 Diameter |

- Available For Plastic Binding Post, To Order Add Suffix "P" After Model No. e.g. SA-SQ01P

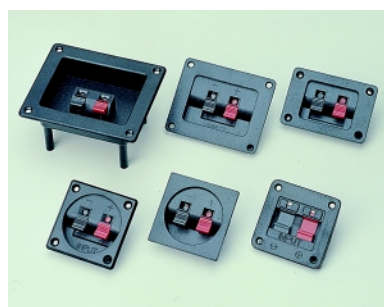


Square And Round Cup Speaker Terminals

- Economical Speaker Terminals Made Of High-Quality Plastic
- Color Coded
- Recessed Mount

- Push Button Insert Wire

| Model | Type | Size(Inch) |
|---------|-------------------|-----------------|
| SA-RD04 | Round | 4-1/2 Diameter |
| SA-RD05 | Round | 3 Diameter |
| SA-RD06 | Round | 2-3/16 Diameter |
| SA-RD07 | Round | 2-3/16 Diameter |
| SA-TL01 | 2 Terminals | 1-5/16 x 3/4 |
| SA-TL02 | 2 Terminals/Pin | 1-5/16 x 13/16 |
| SA-TL03 | 2 Terminals/Screw | 2-1/8 x 13/16 |
| SA-TL04 | 4 Terminals/Screw | 2-3/4 x 1 |



Cup Type Speaker Terminals

- Economical Speaker Terminals Made Of High-Quality Plastic
- Color Coded
- Recessed Mount

- Push Button Insert Wire

| Model | Type | Size(Inch) |
|---------|------------------|----------------|
| SA-CT01 | Square / Bracket | 3-7/8 x 3-5/16 |
| SA-CT02 | Square / Screw | 3-1/8 x 2-1/2 |
| SA-CT03 | Square / Screw | 2-7/8 x 2 |
| SA-CT04 | Square / Screw | 2-1/4 x 2-1/4 |
| SA-CT05 | Square | 2-1/4 x 2-1/4 |
| SA-CT06 | Square / Screw | 2-1/4 x 2-1/4 |



Gold Plated Push Button Speaker Terminals

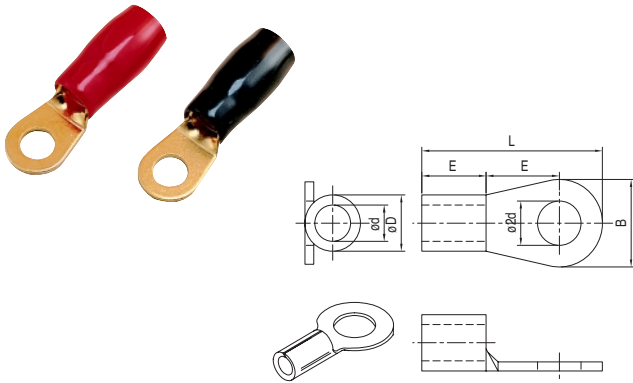
- Great For Converting Screw Type Terminals On Speakers, Amplifiers And Power Supplies.

- Gold Plated And Color Codes Red And Black

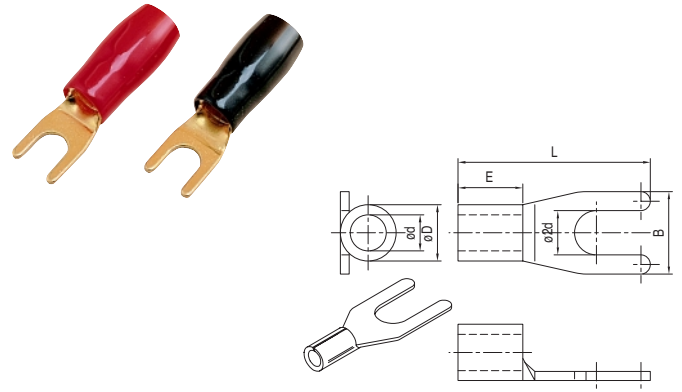
| Model | Type |
|----------|---------------------------|
| SA-PB01 | Solid Brass/Screw Button |
| SA-PB02 | Solid Brass/Screw Button |
| SA-PB03 | Solid Brass/Push Button |
| SA-PB04 | Solid Brass/Screw Button |
| SA-PB05 | Solid Brass/Screw Button |
| SA-PB06 | Solid Brass/Push Button |
| SA-PBT01 | Solid Brass/Screw Button |
| SA-PBT02 | Plastic Knob/Screw Button |
| SA-B01 | Bi-Wiring Bridge |

- For SA-PBT01 And SA-PBT02, To Order Add Suffix "R" For Red Color Or "B" For Black Color e.g. SA-PBT01-R
- Contact Terminal Available With Gold Plated Or Nickel Plated, To Order Add Suffix "G" or "N" After Model No e.g. SA-PB01 G

CT-R



GS-S



| Description (Spec.) | Ordinary Size | | | | | | | WIRE AWG |
|---------------------|---------------|------|----------|------|--------|------|-------|----------|
| | d2Ø | B | L | F | E | DØ | dØ | |
| CT5.5-5R | 5.3 | 9.5 | 20±1.5 | 11.7 | 7.0±1 | 5.5 | 3.6±1 | 12~10 |
| CT5.5-8R | 8.4 | 15 | 28±1.5 | 13.7 | 6.8±1 | 5.6 | 3.5±1 | |
| CT5.5-10R (R) | 10.5 | 15 | 28±1.5 | 13.7 | 6.8±1 | 5.6 | 3.5±1 | 8 |
| CT8-5R | 5.3 | 15 | 29.5±1.5 | 7.2 | 8.8±1 | 7.0 | 5.0±1 | |
| CT8-8R | 8.4 | 14 | 27±1.5 | 11.8 | 8.0±1 | 7.0 | 4.5±1 | 4 |
| CT8-10R | 10.5 | 15 | 30±1.5 | 14 | 8.0±1 | 7.0 | 4.5±1 | |
| CT22-8R (B) | 8.4 | 16 | 33±1.5 | 14 | 11±1 | 11.0 | 7.5±1 | 2 |
| CT22-10R | 10.5 | 18 | 35±1.5 | 16.3 | 13.3±1 | 13.0 | 10±1 | |
| CT38-6R | 6.4 | 15.3 | 39.4±1.5 | 18.6 | 11±1 | 11.0 | 7.5±1 | 1/0 |
| CT60-10R | 10.5 | 22 | 44±1.5 | 16.8 | 18±1 | 15.3 | 12±1 | |

| Description (Spec.) | Ordinary Size | | | | | | | WIRE AWG |
|---------------------|---------------|------|----------|--------|-----|-------|-------|----------|
| | d2Ø | B | L | E | DØ | dØ | | |
| GS1.25-5S | 5.2 | 8.1 | 16±1.5 | 16.1±1 | 3.4 | 1.8±1 | 22~16 | |
| GS2-3.5S | 3.8 | 6.2 | 16.5±1.5 | 5±1 | 4 | 2.3±1 | | |
| GS2-4S (R) | 4.3 | 7.3 | 16±1.5 | 4.5±1 | 4 | 2.3±1 | 16~14 | |
| GS2-5S | 5.3 | 8.0 | 16±1.5 | 4.5±1 | 4 | 2.3±1 | | |
| GS2-6S | 6.3 | 10.9 | 21.7±1.5 | 21.6±1 | 4 | 2.3±1 | 12~10 | |
| GS3.5-4S | 4.3 | 8.0 | 17.8±1.5 | 6.5±1 | 5 | 3.3±1 | | |
| GS5.5-4S (B) | 4.3 | 8.1 | 19.3±1.5 | 6.6±1 | 5.5 | 3.6±1 | 8 | |
| GS5.5-5S | 5.3 | 8.9 | 19.5±1.5 | 6.6±1 | 5.5 | 3.6±1 | | |
| GS5.5-6S | 6.5 | 11.9 | 23.6±1.5 | 6.6±1 | 5.5 | 3.6±1 | 4 | |
| GS8-6S | 6.5 | 11.9 | 23.6±1.5 | 7.2±1 | 5.6 | 3.5±1 | | |
| GS22-8S | 8.3 | 14 | 33±1.5 | 12.3±1 | 11 | 7.9±1 | | |

1. d2Ø and B are practical scale size, L, F, E, DØ, dØ, t are for reference.
2. Description (Spec.) which indicates as CT**-* R(R) owns a gold-plated terminal with red tube.
Description (Spec.) which indicates as CT**-* R(B) owns a gold-plated terminal with black tube
3. The red or black tube is just optional part. Their size doesn't matters much but has to cover the portion "E"

1. d2Ø and B are practical scale size, L, E, DØ, dØ, t are for reference.
2. Description (Spec.) which indicates as GS**-* S(R) owns a gold-plated terminal with red tube.
Description (Spec.) which indicates as GS**-* S(B) owns a gold-plated terminal with black tube
3. The red or black tube is just optional part. Their size doesn't matters much but has to cover the portion "E"

