

Protistor® Square-body Fuses PSC aR sizes 9x - 1500 VAC Fuses bases for German Blades (DIN 140)

Fuse Holders

For D14F size 91 use fuse holder SE 43-91 Ref Number X226179

For D14F sizes 92 and 93 use fuse holder SE 43-92 Ref Number Y226180

For D14F size 93 use fuse holder SF 50-93 Ref X209090

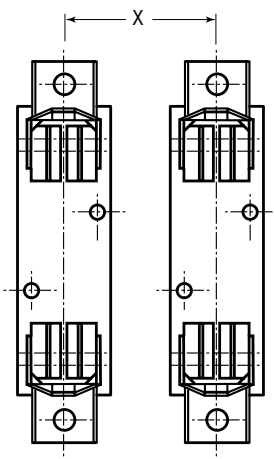
These fuse holders are usable with D14F fuses and MC3E1-. N.microswitches.

For D14A size 91 use fuse holder SE 43-91 Ref Number X226179

For D14A size 92 and 93 use fuse holder SE 43-92 Ref Number Y226180

For D14A size 93 use fuse holder SF 50-93 Ref. X209090

These fuses D14A are usable with all MC3E1-.N.and MCR 3E1-.N microswitches on all fuses holders.



Distance "X" between poles axes (without partition)				
Fuses bases		Operating Voltage		
		1000 V	1250 V	1500 V
SE 43-91	X226179	71	76	79
SE 43-92	Y226180	80	85	88
SF 50-93	X209090	94,5	99,5	102,5

Semiconductor (AC) fuses

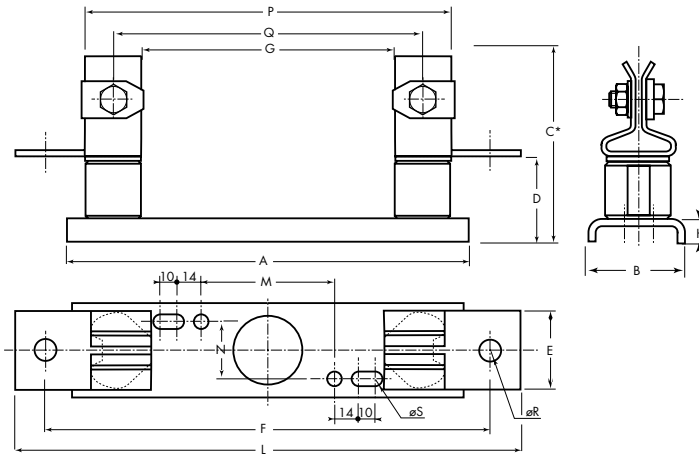
Protistor® Square-body Fuses

PSC aR sizes 9x - 1500 VAC

Fuses bases for German Blades (DIN 140)

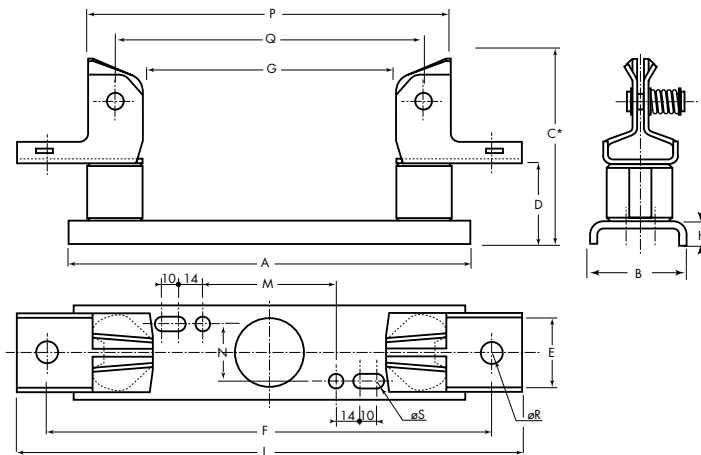
"SF" BOLTED TIGHTENING (SF 50-93)

fig. 1



"SE" ELASTIC TIGHTENING (SE 43-91 ; SE 43-92)

fig. 2



Reference Number	Designation	Drawing#	Catalog Number	A	B	C*	D	E	F	G	H	L	M	N	P	Q	ØR	ØS
X226179	SE 43-91	2	SE43-91	174	42	121	53	32	209	111	10	241	86	28	161	136	10,5	5,5
Y226180	SE 43-92	2	SE43-92	176	54	131	55	42	230	106	15	266	23	35	176	141	12,5	8,5
X209090	SF 50-93	1	SF50-93	200	60	176	70	40	236	106	15	276	47	35	176	141	18	8,5

* C are the dimensions to the top of the "D14F" fuses