

American Fuses E-Rated 5.5kV - 15.5kV CL-14 series

5kv and 15kv Clip-Lock Mounted Fuses



Amp-trap CL-14 E-rated 5kV and 15kV fuses have 3" diameter barrels and mount in unique cam-locking clips, for superior connections as well as easy installation and replacement. They are UL listed as "general purpose current-limiting fuses" and are for use indoors (or outdoors in a weatherproof enclosure). The unique time-current characteristic of Ferraz Shawmut E-rated fuses allows them to be closely sized to transformer full load rated current, as recommended by IEEE guidelines, without being affected by normal magnetizing inrush current. CL-14 fuses are typically sized at transformer rated current of 133%, thereby providing superior overall protection.

Features/Benefits

- **UL Listed** for compatibility with UL listed equipment
- **Clip-Lock mounting** for reliable high integrity connection into circuit
- **Current limiting** for superior equipment protection
- **Blown-fuse indicator** gives positive identification of open fuse
- **Non-venting** for silent operation
- **Metal Embossed Catalog Number** and manufacturing date for lasting identification

Ratings

A055C

AC: 10E to 600E
5.5kV, 63kA I.R. Sym.

A155C

AC: 10E TO 300E
15.5kV, 50kA I.R. Sym

Highlights

- E-Rated
- UL Listed 5.5kV
- Complies with ANSI C37.46

Applications

Protection for 5.5kV or 15.5kV transformers or distribution systems

Approvals

- UL Listed to JEEG, "Fuses Over 600 Volts"
- UL File # E143362

Definitions



E-rating

E-rated fuses operate as follows:

100E or less - must melt in 300 seconds (5 mins.) at 200 to 240% of E (ampere) rating.

Over 100E - must melt in 600 seconds (10 mins.) at 220 to 264% of E (ampere) rating.

Example - A 100E fuse must melt in 300 seconds with an applied current of 200 to 240 amperes.

General Purpose Current-Limiting Fuse

A general purpose current-limiting power fuse is one that is capable of interrupting all currents from its rated interrupting rating down to the current that causes melting of the fusible element in one hour.

Clip-Lock Clips for CL-14 Fuses:

228-700-520 (One pair of clips)

Medium voltage fuses

American Fuses

E-Rated

5.5kV - 15.5kV CL-14 series

5.5kV Clip-Lock Mounted

CATALOG NUMBERING SYSTEM

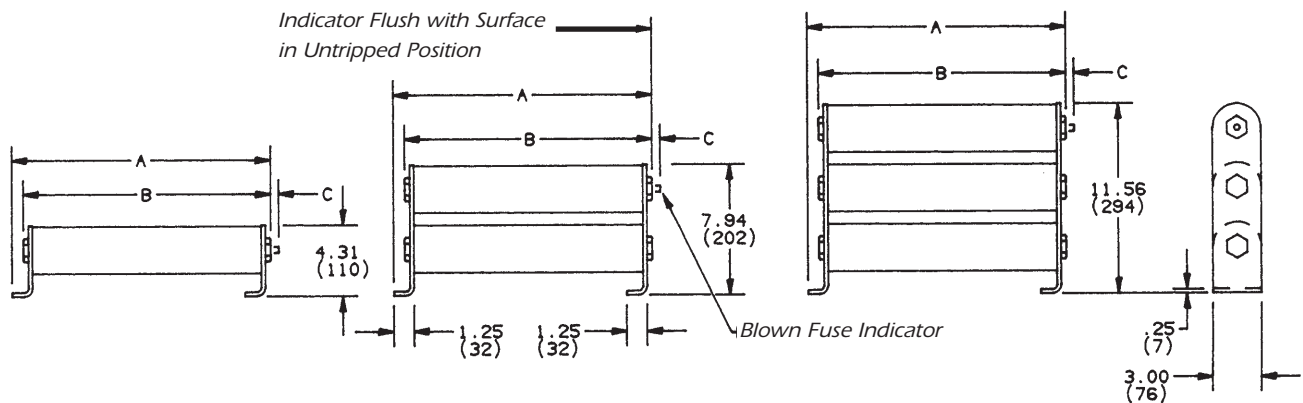
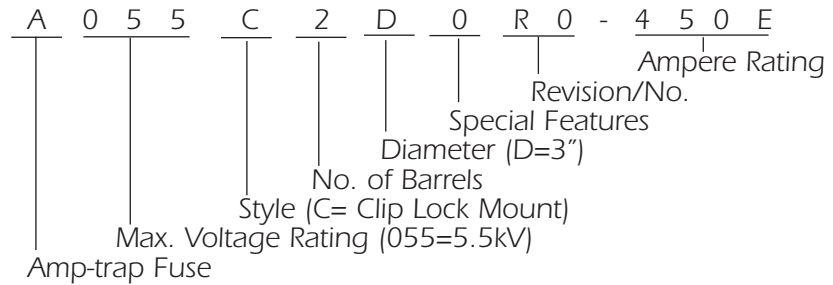


FIGURE A

FIGURE B

FIGURE C

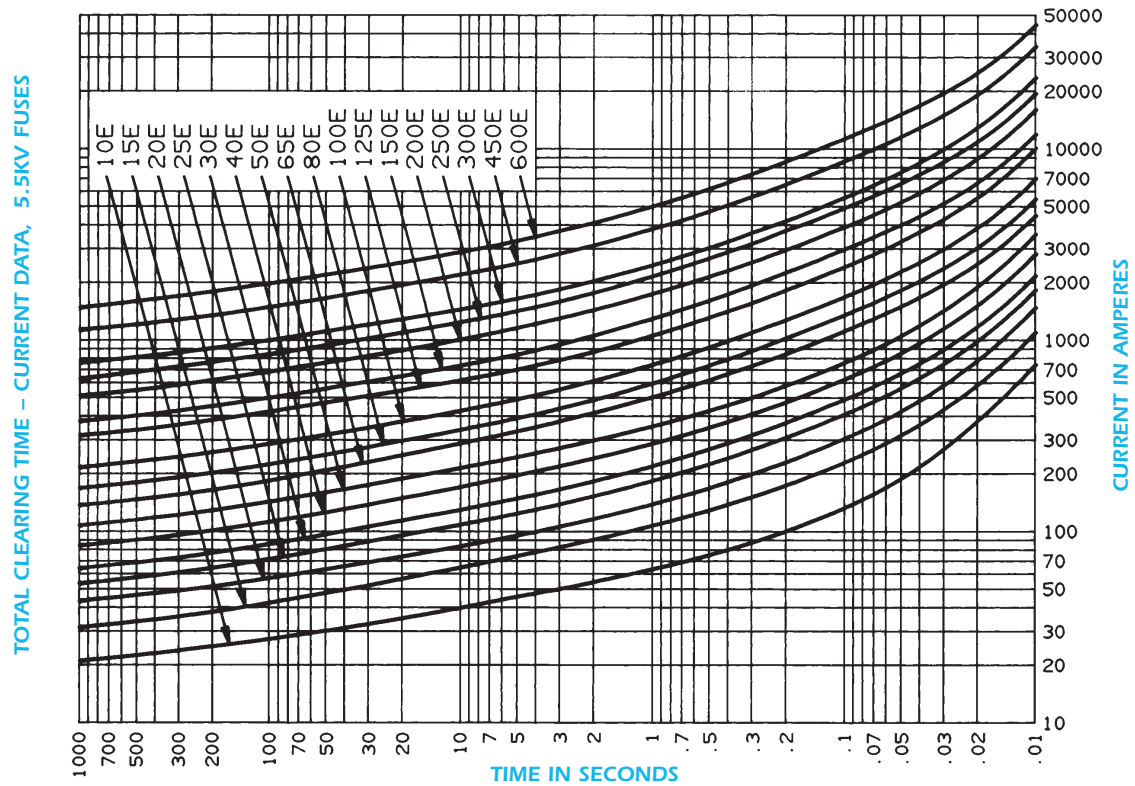
Catalog Numbers, Ratings, Dimensions, CL-14 Series, 5.5kV

New Catalog Number	Reference Number	Old catalog Number	Ampere Rating	Number of Barrels	Fig.	Dimensions Inches (mm)			Interrupting Rating RMS SYM Amperes
						A	B	C	
5.5kV Max. - Clip-Lock Style - 15.25" (387mm) Clip Centers - 3" (76.2mm) Barrel Diameter									
A055C1DORO-10E	R213363	225-007-937	10E	1	A	16.81 (427)	16.12 (410)	0.5 (13)	63,000
15E	Q214880	938	15E						
20E	X215898	939	20E						
25E	J216921	940	25E						
30E	D217951	941	30E						
40E	C218985	942	40E						
50E	V219507	943	50E						
65E	O221964	944	65E						
80E	Z222708	945	80E						
100E	G212848	946	100E						
125E	G213860	947	125E						
150E	R214375	948	150E						
5.5kV Max. - Clip Lock Style - 21.25" (540mm) Clip Centers - 3" (76.2mm) Barrel Diameter									
A055C1DORO-200E	V215390	225-007-949	200E	1	A	22.81 (580)	22.12 (562)	0.5 (13)	63,000
250E	B216408	950	250E						
300E	W217438	951	300E						
400E	J218462	952	400E						
A055C2DORO-450E	N223227	953	450E	2	B			Tripped Force 2 lbs.	
500E	D201046	954	500E						
600E	M201560	955	600E						

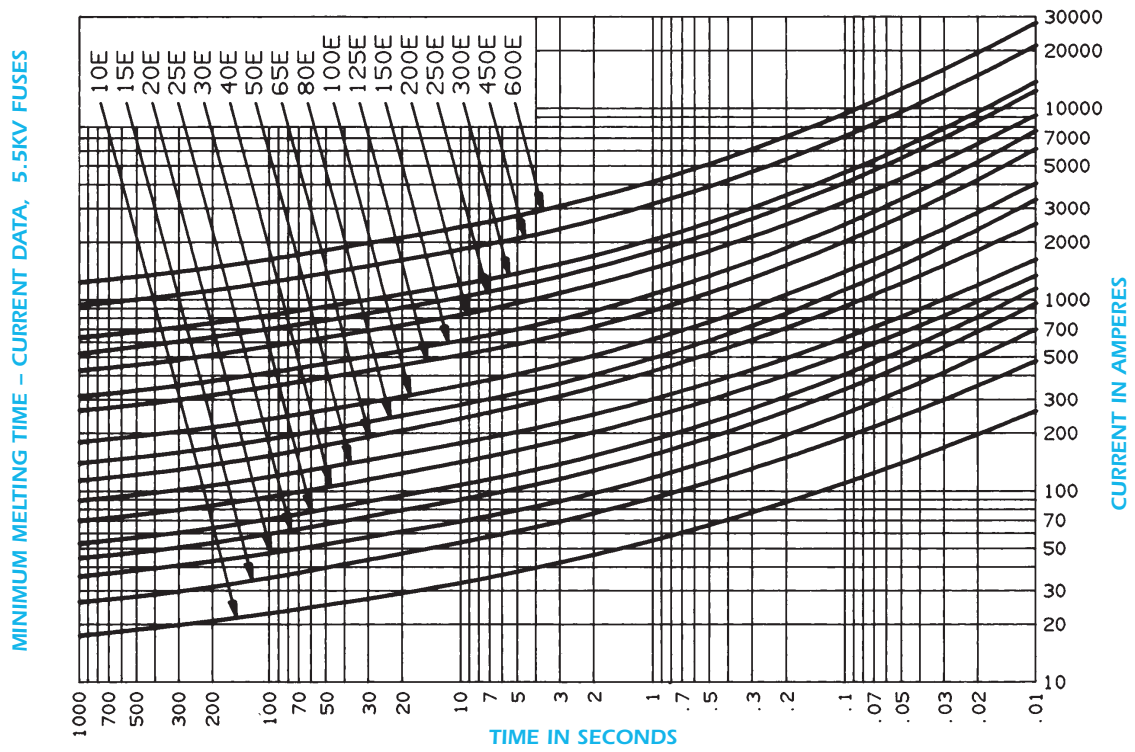
* RMS ASYM. Amperes = RMS SYM. Amperes x 1.6

American Fuses E-Rated 5.5kV - 15.5kV CL-14 series

A055C1DORO - 10E to 400E and A055C2DORO - 450E to 600E



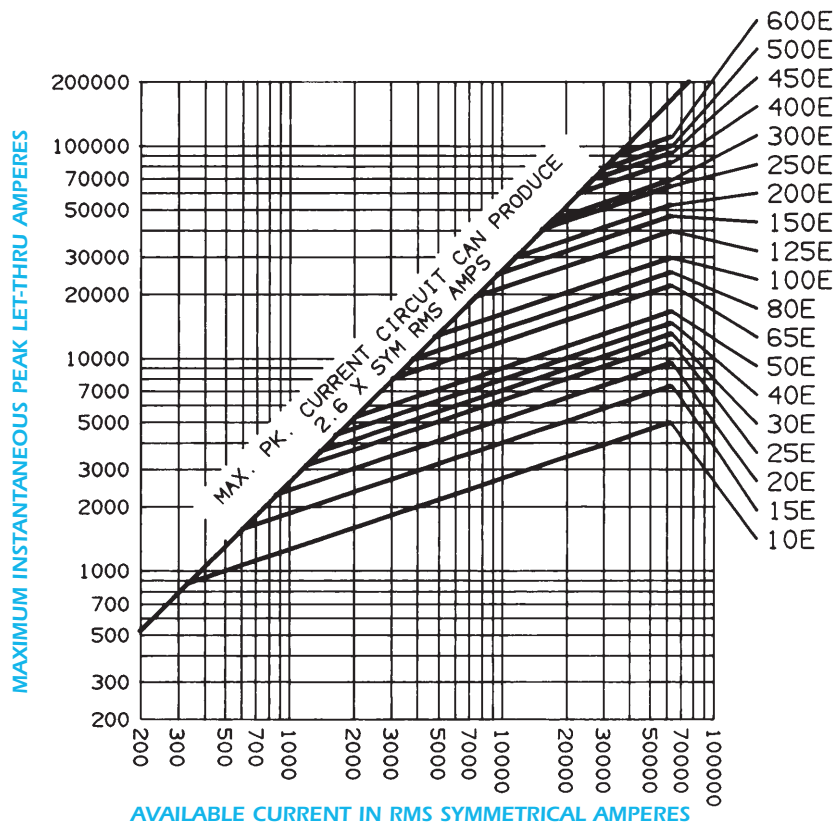
A055C1DORO - 10E to 400E and A055C2DORO - 450E to 600E



Medium voltage fuses

American Fuses E-Rated Bolt-in Series

A055C1DORO – 10E to 400E and A055C2DORO – 450E to 600E Peak Let-Thru Current Data, 5.5kV CL-14 Fuses



American Fuses E-Rated 5.5kV - 15.5kV CL-14 series

15.5kV Clip-Lock Mounted

CATALOG NUMBERING SYSTEM

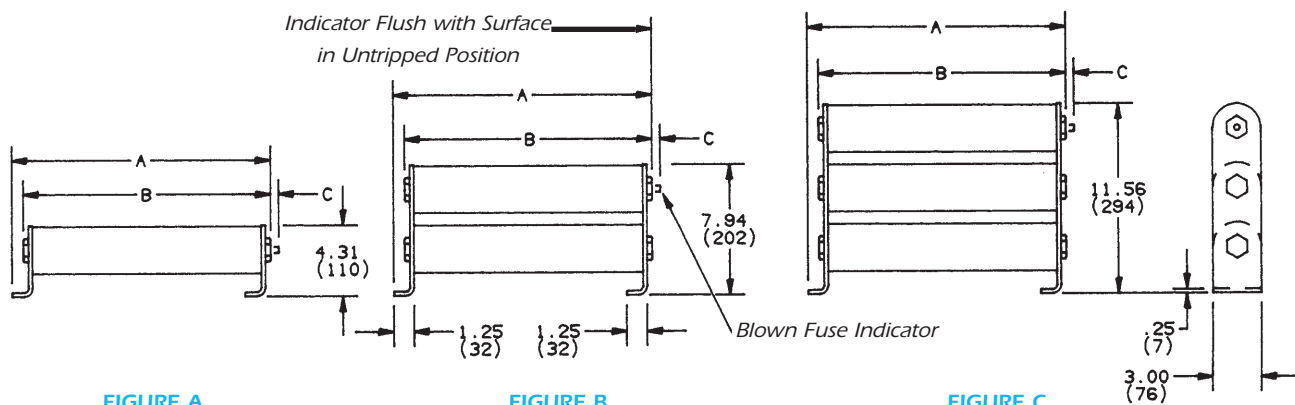
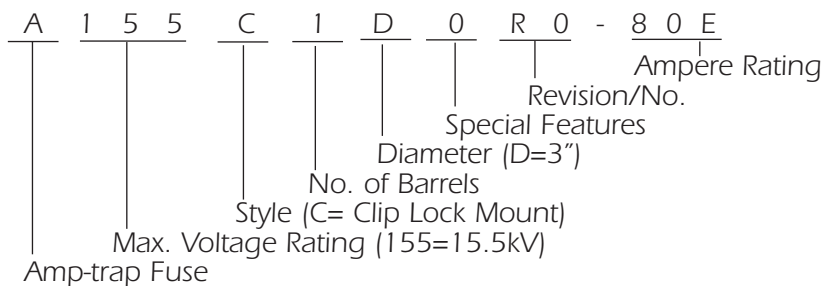


FIGURE A

FIGURE B

FIGURE C

Reference and Catalog Numbers, Ratings, Dimensions, CL-14 Series, 15.5kV

New Catalog Number	Reference Number	Old catalog Number	Ampere Rating	Number of Barrels	Fig.	Dimensions Inches (mm)			Interrupting Rating RMS SYM Amperes
						A	B	C	
15.5kV Max. - Clip-Lock Style - 18.25" (464mm) Clip Centers - 3" (76.2mm) Barrel Diameter									
A155C1DORO-10E	Z211300	225-007-967	10E	1	A	19.81 (504)	19.12 (486)	0.5 (13)	Tripped Force 2 lbs.
15E	T212330	968	15E						
20E	H212849	969	20E						
25E	H213861	970	25E						
30E	S214376	971	30E						
40E	R214881	972	40E						
50E	W215391	973	50E						
15.5kV Max. - Clip-Lock Style - 21.25" (540mm) Clip Centers - 3" (76.2mm) Barrel Diameter									
A155C1DORO-65E	Y215899	225-007-974	65E	1	A	22.81 (580)	22.12 (562)	0.5 (13)	50,000
80E	C216409	975	80E						
100E	F203463	976	100E						
A155C2DORO-125E	K216922	977	125E	2	B				
A155C3DORO-150E	K218463	978	150E						
200E	D218986	979	200E	3	C				Tripped Force . 2 lbs
250E	W219508	980	250E						
300E	R221965	981	300E						

* RMS ASYM. Amperes = RMS SYM. Amperes x 1.6

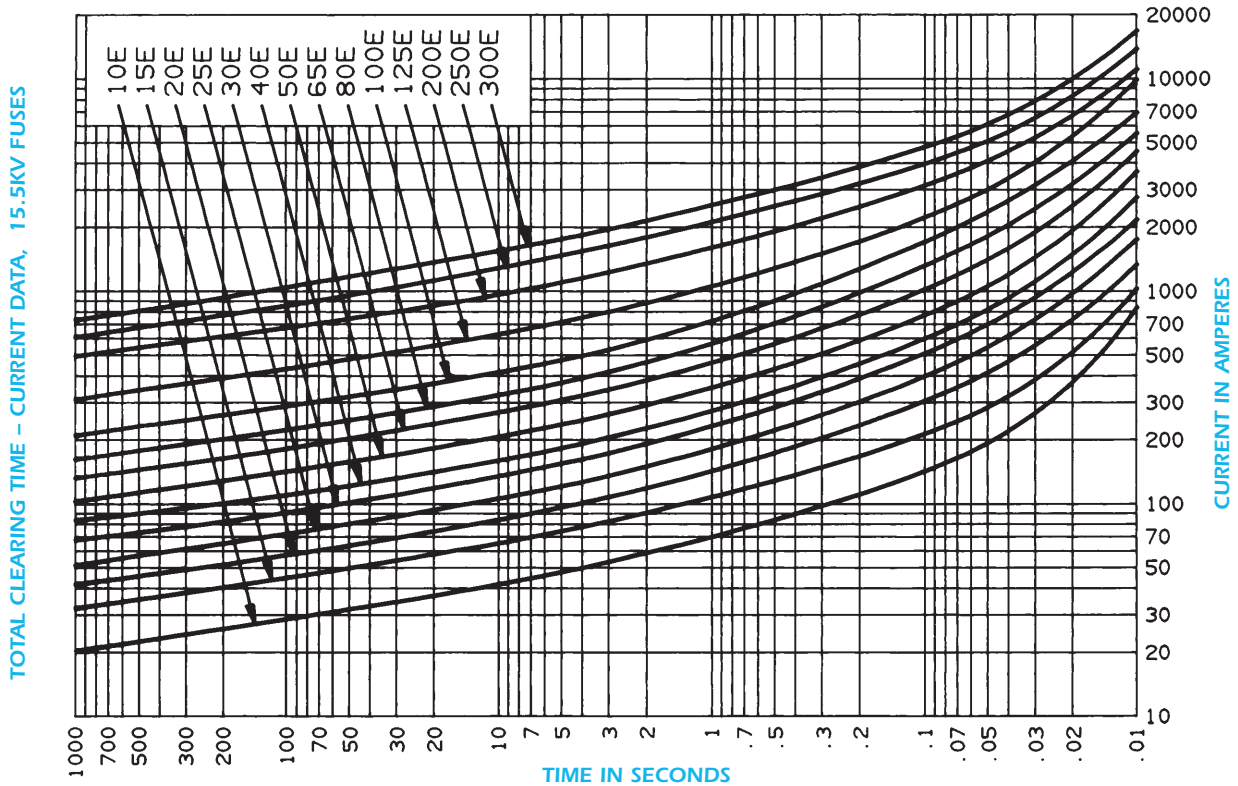
Medium voltage fuses

American Fuses

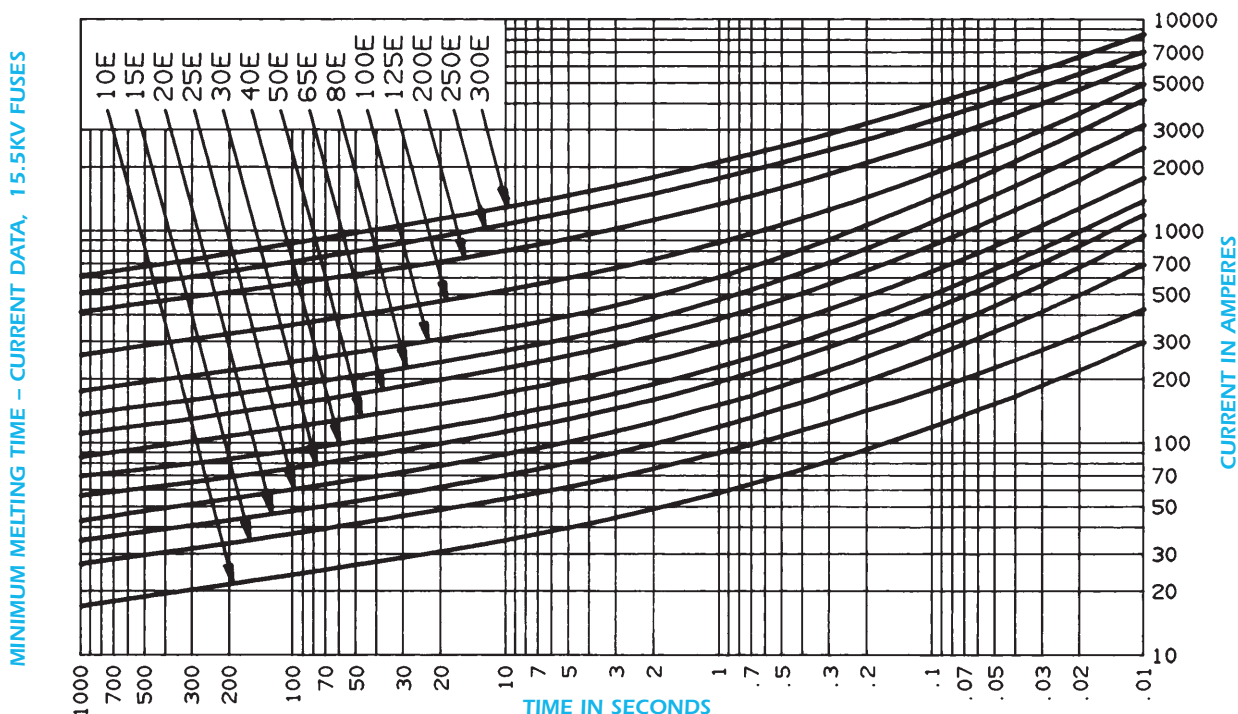
E-Rated

5.5kV - 15.5kV CL-14 series

A155C1DORO - 10E to 100E / A155C2DORO - 125E A155C3DORO - 150E to 300E



A155C1DORO - 10E to 100E / A155C2DORO - 125E A155C3DORO - 150E to 300E



American Fuses E-Rated 5.5kV - 15.5kV CL-14 series

A155C1DORO - 10E to 100E - A155C2DORO - 125E A155C3DORO - 150E to 300E Peak Let-Thru Current Data, 15.5kV CL-14 Fuses

