

## Miniature Fuses Single-Pole Fuse Blocks 5x20QC1, 6x32QC1



### Recommended Fuse Usage

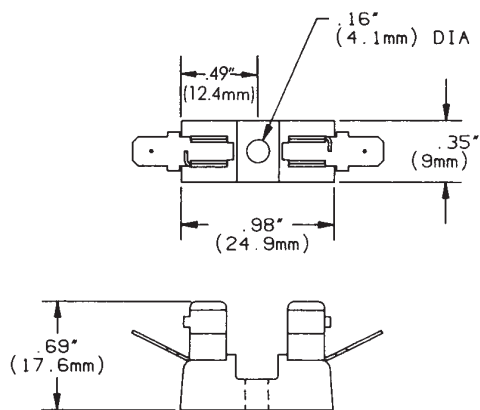
5X20QC1 use with GGM, GGA, GSA, GSB, GDG

6X32QC1 use with GSA, GDL, GGC, GAB

### 5X20QC1 (Ref. Number: Z219603)

#### SINGLE-POLE FUSE BLOCK for 5mm x 20mm fuses

- Tin plated clips
- Polyester insulator
- 3/16" quick-connect terminals
- Rated 15A, 250V
- UL Recognized



### 6X32QC1 (Ref. Number: R222057)

#### SINGLE-POLE FUSE BLOCK for 1/4"x 1-1/4" fuses

- Tin-plated phosphor bronze clips
- Phenolic insulator
- 1/4" quick-connect terminals
- Rated 30A, 250V - UL Recognized
- Rated 20A, 250V - CSA Certified

