



Gears & Fuse Gears

IEC General Purpose Fuses DIN Fuses BusBar System: TRI60

TRI60

TRI 60 mm busbar system

The TRI 60 busbar system is the ergonomic answer to power distribution up to 630 A. The TRI 60 system simultaneously combines the mounting and connection (power supply) of power-distribution equipment, saving the user a great deal of time and money in the process.

Besides the advantage of practical power distribution through use of clip-on equipment, the TRI 60 busbar system has well-conceived safety features and last but not least, an attractive and clearly arranged design.

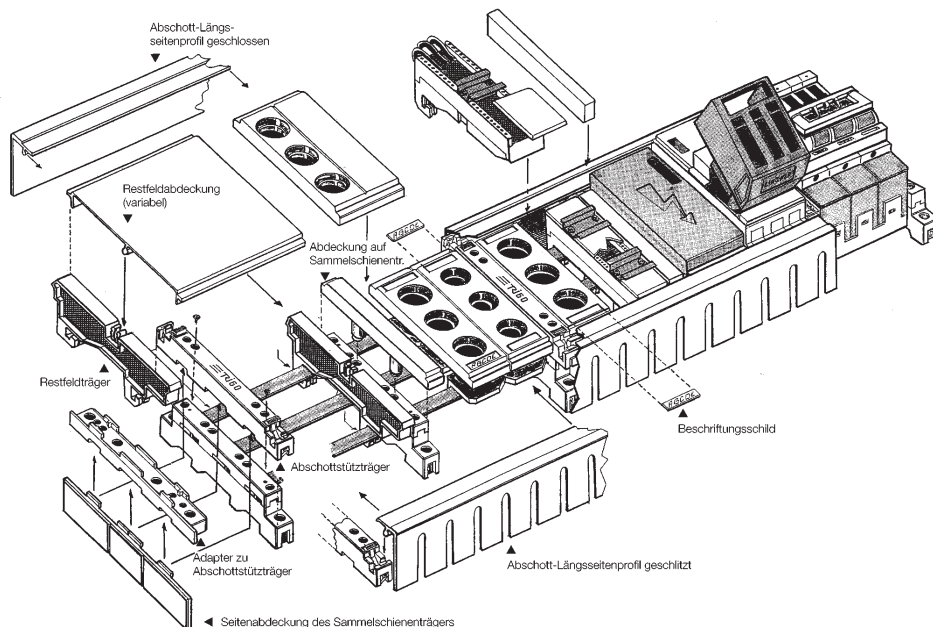
Busbars Current-carrying capacity mounted in switchgear

35°C ambient temperature
65°C busbar temperature

Dimensions in mm	Continuous current (A)	Rated fuse current (A)*
30 x 10	630	630
25 x 10	580	500
20 x 10	520	500
30 x 5	447	400
15 x 10	447	400
25 x 5	400	400
12 x 10	360	315
20 x 5	320	315
15 x 5	250	250
12 x 5	200	200

* Fuse-links within utilization category gL-gG to DIN VDE 0636.

Note continuous current if using other upstream protection devices.





IEC General Purpose Fuses DIN Fuses BusBar System: TRI60



TRI 60 mm busbar system

Universal busbar support

three-pole, as per VDE 0660, Part 500, with additional mounting holes outside, allowing attachment of PE/N busbar supports,

No. 173 and 174

Color: RAL 7035 – Light grey

Version	for bars in mm	Previous ref.	Reference Number	Catalog Number	Packing
4 mounting holes					
	12 x 5 – 10	00170.000000	B214039		10
	15 x 5 – 10				
	20 x 5 – 10				
	25 x 5 – 10				
	30 x 5 – 10				



Universal busbar support

three-pole, as per VDE 0660, Part 500,

with inside mounting holes, for bus-mounting equipment ranging up to 630 A rated current, with adjustable stop for adaption to E-Cu busbars 12 to 30 mm wide and in 5 to 10 mm gauge;

bar clearance 60 mm, rated voltage up to 660 V, 50/60 Hz to VDE 0660

Color: RAL 7035 – Light grey

Version	for bars in mm	Previous ref.	Reference Number	Catalog Number	Packing
2 mounting holes					
	12 x 5 – 10	00171.000000	V216080		10
	15 x 5 – 10				
	20 x 5 – 10				
	25 x 5 – 10				
	30 x 5 – 10				



N/PE busbar support

for attachment to busbar support No. 170 for 4-pole and 5-pole systems;

No. 173 can also be used as individual support.

Version	for bars in mm	Previous ref.	Reference Number	Catalog Number	Packing
1 mounting hole					
	12 x 5 – 10	00173.000000	E218642		10
	15 x 5 – 10				
	20 x 5 – 10				
	25 x 5				
	30 x 5				



No. 174 can only be used together with part 170.

Version	for bars in mm	Previous ref.	Reference Number	Catalog Number	Packing
1 mounting hole					
	12 x 5 – 10	00174.000000	B222894		10
	15 x 5 – 10				
	20 x 5 – 10				
	25 x 5				
	30 x 5				



Gears & Fuse Gears

IEC General Purpose Fuses DIN Fuses BusBar System: TRI60



TRI 60 mm busbar system

NEOZED bus-mounting fuse base,

3-pole, for 60 mm busbar systems. Choice of busbar width from 12 to 30 mm.
Color: RAL 7035 – light grey



Size	Rated Current (A)	Rated voltage (VAC)	Conductor cross-section mm ² max.	Prev. Ref.	Ref. Number	Cat. Number	Packing
Adapter sleeve system, to DIN VDE 0636 Part 41							
D02	63	400	5 /10	01750.000000	K222143		10
D02	63	400	10	01751.000000	M201744		10

D type bus-mounting fuse base,

3-pole, for 60 mm busbar systems. Choice of busbar width from 12 to 30 mm.
Color: RAL 7035 – light grey



Size	Rated Current (A)	Rated voltage (VAC)	Conductor cross-section mm ² max.	Prev. Ref.	Ref. Number	Cat. Number	Packing
Adapter ring system							
DII	25	500	5/10	00150.000006	S207430		10
DII	25	500	10	00151.000006	Y211529		10
DIII	63	690	5/10	00160.000006	B213579		10
DIII	63	690	10	00161.000006	B214085		10
Adapter screw system							
DII	25	500	5/10	00152.000006	D212040		10
DII	25	500	10	00153.000006	W212562		10
DIII	63	690	5/10	00162.000006	H214597		10
DIII	63	690	10	00163.000006	N215108		10

Cover for NEOZED fuse base,

3-pole. Color : RAL 7035 – light grey



Size	Version	Prev.ref.	Ref. Number	Cat. Number	Packing
D02	1 -single 27 mm wide	01755.000000	D212523		20
D02	11/3 -fach 36 mm wide	01756.000000	N214556		10
D02	2 -double 54 mm wide	01757.000000	B216592		10

Cover for D-type fuse base,

three-pole. Color: RAL 7035 – light grey



Size	Version	Prev.ref.	Ref. Number	Cat. Number	Packing
DII	1 -single 42 mm wide	00155.000006	G213078		10
DII	2 -double 84 mm wide	00157.000006	B211486		10
DIII	1 -single 57 mm wide	00165.000006	P215615		10
DIII	2 -double 114 mm wide	00167.000006	G218644		10



IEC General Purpose Fuses DIN Fuses BusBar System: TRI60



TRI 60 mm busbar system

NH00 LINO CUR

switch-disconnector for NH fuses as per: EN 60947-3, IEC 60947-3, DIN VDE 0660, Part 107

Poles	Connection	Previous ref.	Ref. Number	Catalog Number	Packing
Rated current/voltage: 125A to 500VAC, 100A to 660VAC					
3	Screw M8	08603.000000	Y212035	NHLINC3PT0	1
3	Clamp/3 x 10mm ²	08603.220000	W213574	NHLINC3PT7	1



Adapter

suitable for NH00 LINO CUR 8603.2 and 8603.22

Version	max. Cu bars mm	Previous ref.	Ref. Number	Catalog Number	Packing
60 mm System	30 x 10	08600.600000	F217654	NHLINCADAP60	1



NH bus-mounting fuse base,

3-pole for bar gauge 5 to 10 mm, with touch guard

Size	Rated current (A)	Terminal type	conductor cross-section (mm)	Previous ref.	Ref. Number	Catalog Number	Packing
feeders upward							
00	160	screw M8	70	08350.000000	X212563		4
00	160	clamp	70	08350.200000	H213079		4
feeders downward							
1	250	screw M10	120	08351.000000	C213580		1
2	400	screw M10	240	08352.000000	C214086		1

Terminal plate, 3-pole

Bar gauge mm	Conductor cross-section mm	Previous Ref.	Reference Number	Catalog Number	Packing
5	16-120	08355.050000	E212041		1
10	16-120	08355.010000	Z211530		1

terminal compartment 17x16mm

Cover Only

		08358.000000	H218691		1
--	--	--------------	---------	--	---





Gears & Fuse Gears

IEC General Purpose Fuses DIN Fuses BusBar System: TRI60



TRI 60 mm busbar system

Universal terminal

as per DIN VDE 0606 for flexible connection of wires, for all busbar widths 5 mm or 10 mm terminal version: terminals always open



Conductor size (mm)	Terminal compartment (mm)	Previous Ref.	Reference Number	Catalog Number	Packing
for 5 mm busbar width					
1,5 – 16	7,5 x 6	01760.050160	K200730		100
4 – 35	10,8 x 7,5	01760.050350	Z201272		50
16 – 70	13 x 13	01760.050700	J201787		25
16 – 120	17 x 15	01760.051200	V207524		25
for 10 mm busbar width					
1,5 – 16	7,5 x 6	01760.010160	W219209		100
4 – 35	10,8 x 7,5	01760.010350	Y219740		50
16 – 70	13 x 13	01760.010700	F222185		25
16 – 120	7,5 x 15	01760.011200	B222940		25

Adapter plate terminals

for connection of flexible copper strips or rigid conductor bars



Conductor size (mm)	Terminal compartment (mm)	Previous Ref.	Reference Number	Catalog Number	Packing
120		01759.201600	M217108		10

All parts of LINDNER TRI 60 shock-hazard protection system are halogen- and chlorine-free and may be recycled

Support for compartment side profile

for attachment to busbar support
Color: RAL 7035 – light grey



System height	Previous Ref.	Ref. Number	Cat. Number	Packing
32	00140.000000	H218645		10

Adapter for side profile support (art. no. 140)

System height	Previous Ref.	Ref. Number	Cat. Number	Packing
42	00240.000000	X218129		10

Note: Catalog Number 240 can also be mounted under the universal busbar support (Catalog Number 170).

Allows the complete busbar system to be lifted at 10 mm.



IEC General Purpose Fuses DIN Fuses BusBar System: TRI60



TRI 60 mm busbar system

Compartment side profile

Color: RAL 7035 – light grey

System height		Previous Ref.	Ref. Number	Cat. Number	Packing
32	closed	00142.000000	D222896		5 x 2 m
32	slotted	00143.000000	T215573		5 x 2 m
42	closed	00242.000000	F222898		5 x 2 m
42	slotted	00243.000000	W206743		5 x 2 m



Side cover

for busbar support, attachable to article no. 140 (240) from below

Color: RAL 7035 – light grey

System height	Previous Ref.	Ref. Number	Cat. Number	Packing
32/42	00145.000000	W218128		10



Busbar support cover

Color: RAL 7035 – light grey

System height	Previous Ref.	Ref. Number	Cat. Number	Packing
32	00147.000000	E222897		10
42	00247.000000	N213038		10



Residual field support

Color: RAL 7035 – light grey

System height	Previous Ref.	Ref. Number	Cat. Number	Packing
32	00148.000000	D211488		10
42	00248.000000	W215069		10



Residual field cover

Variable, can be cut to length

Color: RAL 7035 – light grey

System height	Previous Ref.	Ref. Number	Cat. Number	Packing
32/42	00149.000000	F214043		10





Gears & Fuse Gears

IEC General Purpose Fuses DIN Fuses BusBar System: TRI60



TRI 60 mm busbar system

Insulating side cover with screws

To cover sides of busbar ends

Color: RAL 7035 – light grey

to be screwed to top section of support no. 170 to 171



System height	Previous Ref.	Ref. Number	Cat. Number	Packing
	00172.000000	D216594		20

Note:

To be used only by TRI 60 bus bar systems without TRI 60 shock-hazard protection system

Adapter

for panel components with DIN-rails as per EN DIN 50022, plastic



Rated Current (A)	Version	Previous Ref.	Ref. Number	Catalog Number	Packing
32	54 mm wide, 1 rail	03800.211000	Y216129		1
32	54 mm wide, 2 rails	03800.221000	V216632		1
63	54 mm wide, 1 rail	03800.311000	G217149		1
63	72 mm wide, 1 rail	03800.312000	L217659		1
63	81 mm wide, 1 rail	03800.313000	W218174		1

Adapter with wire-connection

	54 mm wide, 2 rails	03801.021000	J218692		1
--	---------------------	--------------	---------	--	---

Adapter without wire-connection

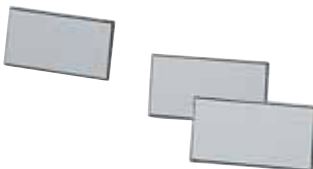
	54 mm wide	03802.001000	X219210		10
	81 mm wide	03802.003000	Z219741		10

Self-adhesive labelling plates

Color: silver grey

Material: DUOMATT

for non-smudge writing or engraving



Version	Previous Ref.	Ref. Number	Catalog Number	Packing
20 x 10 mm	01754.000000	P213039		252
30 x 10 mm	00154.000000	P200688		162

TRI 60 labelling plates are supplied in specified packaging units on an approximately DIN A4-sized support sheet. These sheets fit easily into normal commercial engraving or plotting machines.

The labelling plates fit exactly into the pockets on the covers of bus-mounting fuse-bases (article no. 1754 fits into all covers for NEOZED bus-mounting fuse-bases, article no. 154 into all covers for D-type bus-mounting fuse-bases, terminal plates and LV HRC 00 bus-mounting fuse switch-disconnectors) and are silver-grey in color to match the TRI 60 design.

Adhesive setting time: approx. 24 hours.

TRI 60 labelling plates can also be used in severe environmental conditions once their adhesive has set (e.g. in the chemical industry).



IEC General Purpose Fuses DIN Fuses BusBar System: TRI60



TRI 60 mm busbar system

Distance clip, 9 mm

To enlarge wiring space for NEOZED fuse-bases. For easier mounting, simply plug the DO-base distance clip into busbar. Can be fitted on bars in 5 and 10 mm gauge.
If using these clips,, cover 1756 (36 mm) should also be provided.

Size	Busbar gauge (mm)	Previous Ref.	Ref. Number	Catalog Number	Packing
D0	5 - 10	01752.000000	Q201747		50



NEOZED (DO) and D screw-caps

Material: plastic
Color: grey

Size	Version	Previous Ref.	Ref. Number	Catalog Number	Packing
D02	E 18 without test hole	01715.000000	L206435		20
D02	E 18 with testing hole	01715.000200	P211981		20
for NEOZED D01 fuses with reduction spacer					
D02	E18 with testing hole	01715.890200	M214026		20
DII	E 27 with testing hole	02071.000000	L201720		20
DIII	E 33 with testing hole	02072.000000	E214019		20



Cover trips for individual busbars

Max. bar width 30 mm, PVC
Color: RAL 7035 – light grey

Size	Version	Previous Ref.	Ref. Number	Catalog Number	Packing
	for 5 mm busbars	08356.050000	V218173		1
	for 10 mm busbars	08356.010000	X216128		1



Grip-lug cover

for NH fuse-links, fits NH bases, with touch guard

Size	Version	Previous Ref.	Ref. Number	Catalog Number	Packing
for 1 required for 1 fuse link					
00		08350.900000	G222186		30
for 2 required for 1 fuse link					
1		08351.900000	C222941		30





IEC General Purpose Fuses DIN Fuses BusBar System: TRI60



TRI 60 mm busbar system

General information

- Classification: Busbar system with 60 mm phase bar clearance
- Specifications: DIN VDE 0660 Part 500, EN 60439-2, IEC 439-2
- Number of poles: 3-, 4- or 5-pole
- Rated uninterrupted current I_n : 630 A
- Rated duty: Continuous duty
- Rated current strength: 100 kA
- Rated short-time current strength: 28.5 kA (1 sec.)
- Rated operational voltage U_e : Max. 660 (690) VAC
- Rated frequency: 45 – 62 Hz
- Permissible ambient temperature: – 25 bis +55 °C
- Storage temperature: – 40 bis +80 °C
- Size of copper bars: 12 x 5 mm to 30 x 10 mm
- Degree of protection: IP 3 x under central covers
IP 2 x with compartmentalized system

Technical specifications on TRI 60 components

- Classification: Busbar support to DIN VDE 0660, Part 500
- Specifications: DIN VDE 0660 Part 500
- Sizes: 3-pole, 1-pole for PE/N
- Bar dimensions: from 12 x 5 mm to 30 x 10 mm
- Bar centerline clearance: 60 mm
- Electrodynamical strength:
- Conditional short-circuit: up to 100 kA with back-up fuse gL-gG
- Short-time current strength: 28,5 kA (1 sec.)
- Material: high-temperature resistance, self-extinguishing plastic
- Flame retardance: to DIN VDE 0471 Part 1 up to 960 °C
- Maximum tightening torques of connection screws: 5 Nm

TRI 60 labelling system

- Classification: DUOMAT self-adhesive labels
- Material: DUOMAT two-layer material
- Support sheet size: DIN A4
- Adhesive setting time: 24 h



IEC General Purpose Fuses DIN Fuses BusBar System: TRI60



TRI 60 mm busbar system

TRI 60 bus-mounting fuse-base

Classification: Fuse-base to DIN VDE 0636

Specifications: DIN VDE 0636 Part 1, 10, 31, 41, 301, IEC 60269-3

Sizes: D02 (NEOZED), DII, DIII

Number of poles: 3-pole

Rated current I_n : 2 – 63 A

Rated voltage U_n : 400 VAC, 500 VAC, 660 VAC, 690 VAC

Rated frequency: 45 – 62 Hz

Rated insulation voltage U_i : 2500 V

Permissible ambient temperature > -5 °C

Storage temperature Max. 150 °C

Attachment types/cross-sections: DII: 10 mm² wire clamp connection recessed head screw
DIII: 25 mm² wire clamp connection recessed head screw
with covering : safe from finger touch to accident norm VBG 4

Position of normal use: Any

Degree of protection: IP 20

Attachment method: Latching on to TRI 60 busbar system

Contacting: Direct low-loss to surface-treated E-Cu bar

TRI 60 compartmentalized system

Classification: Shock-hazard protection to UVV-VBG4

Shock-hazard protection: Protection from front (VBG4) and extending behind

Degree of protection: IP 20

Materials: Flame-retardant, halogen and CFC-free plastics

Flame retardance: As per DIN VDE 0471 Part 2, 650 °C

TRI 60 equipment adapter

Classification: Equipment adapter for panel components to DIN 43880

Rated current: 32 A, 63 A

Width: 54 mm, 72 mm, 81 mm

Mounting rail: to DIN EN 50022 plastic

Conductor: AWG 10 = 6 mm², AWG 8 = 10 mm²

Resistance to heat: 105 °C

Size of wire-end ferrule: 32 A: 2,9 x 2,9 mm

63 A: 4,1 x 4,1 mm

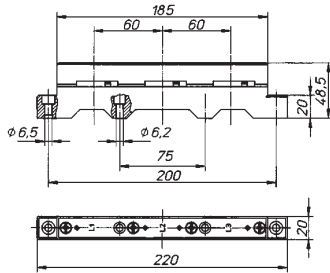


Gears & Fuse Gears

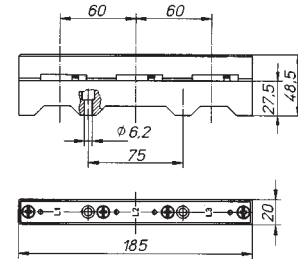
IEC General Purpose Fuses DIN Fuses BusBar System: TR60

TRI 60 mm busbar system

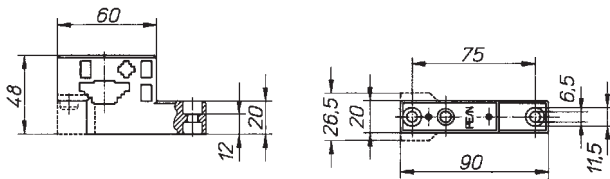
Busbar supports



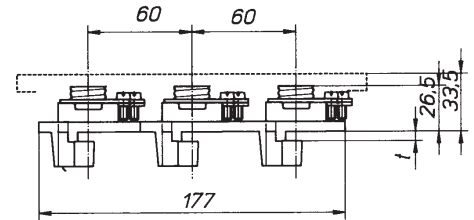
Universal busbar support, three-pole
with additional mounting holes outside



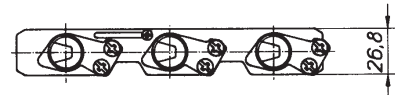
Universal busbar support, three-pole
with inside mounting holes



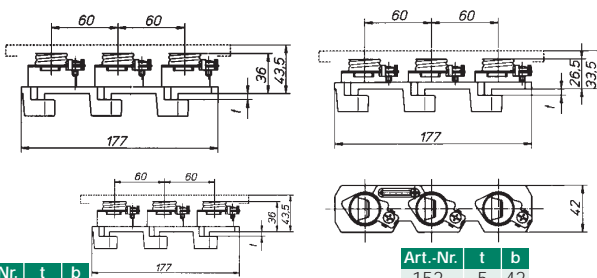
N/PE busbar support



Art.-Nr.	t
1750	5/10
1751	10



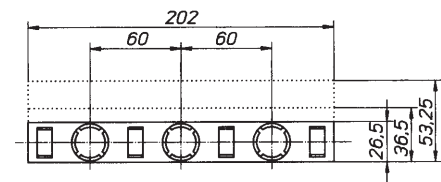
NEOZED bus-mounting fuse base, three-pole,
for 60 mm busbar systems



Art.-Nr.	t	b
150	5	42
160	5	57
151	10	42
161	10	57

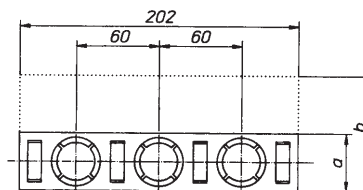
Art.-Nr.	t	b
152	5	42
162	5	57
153	10	42
163	10	57

D-type bus-mounting fuse-base, three-pole
for 60 mm busbar systems



Cover for NEOZED fuse base, three-pole

Art.-Nr.	a	b
155	41,75	
157		83,75
165	56,75	
167	113,75	



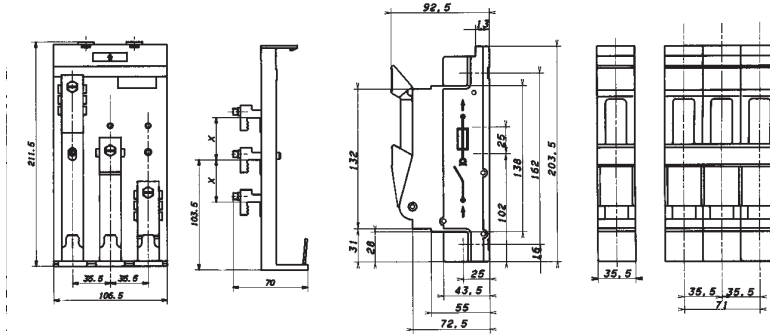
Covers for D-type fuse base, 3-pole

Gears & Fuse Gears



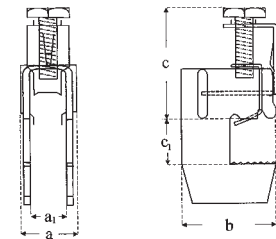
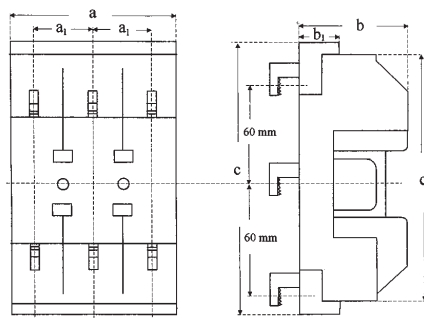
IEC General Purpose Fuses DIN Fuses BusBar System: YRI60

TRI 60 mm busbar system Busbar supports



Adapter suitable for NH 00 LINO CUR

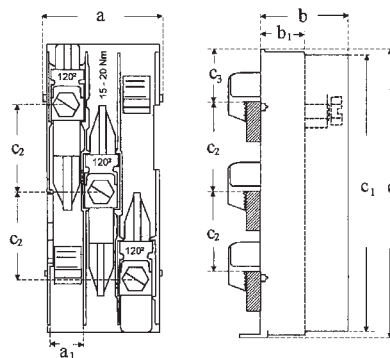
Art.-Nr.	a	a ₁	b	b ₁	c	c ₁
8350	99	33	89	32	202	195
8350.2	99	33	89	32	202	195
8351	195	65	110		200	
8351	195	65	110		200	



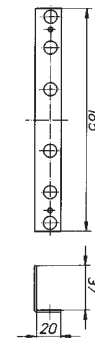
Art.-Nr.	a	a ₁	b ₁	c	c ₁
1760.01016	13,5	7,5	24	28	10
1760.01035	18	10,8	28,5	38	10
1760.01070	20	14	30	42	10
1760.01120	25,5	17	36	55	10
1760.05016	13,5	7,5	24	28	5
1760.05070	20	14	30	42	5
1760.05035	18	10,8	28,5	38	5
1760.05120	25,5	17	36	55	5

NH bus-mounting fuse base, 3-pole

Art.-Nr.	a	a ₁	b	b ₁	c	c ₁	c ₂	c ₃
8355.01	84	21	59	32	200	195	60	35
8355.05	84	21	59	32	200	195	60	35
8358	84		59	32	202	195		35

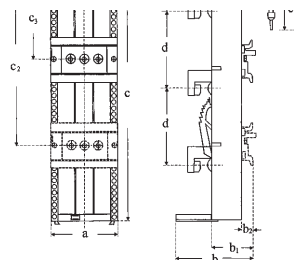


Universal-Anschlußklemmen

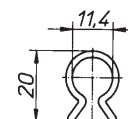


Terminal plate, 3-pole

Art.-Nr.	a	a ₁	b ₁	b ₂	c	c ₁	c ₂	c ₃	d	d ₁
3800.211	54	60	32	8,5	182	120	88		60	20
3800.221	54	60	32	8,5	182	120	143	48	60	20
3800.311	54	60	32	8,5	182	120	88		60	20
3800.312	72	60	32	8,5	182	120	88		60	20
3800.313	81	60	32	8,5	182	120	88		60	20
3801.021	54	60	32	8,5	182		143	48	60	20



Insulating side cover with screws



Distance clip, 9 mm

Adapter without wire-connection

12/04

FG163