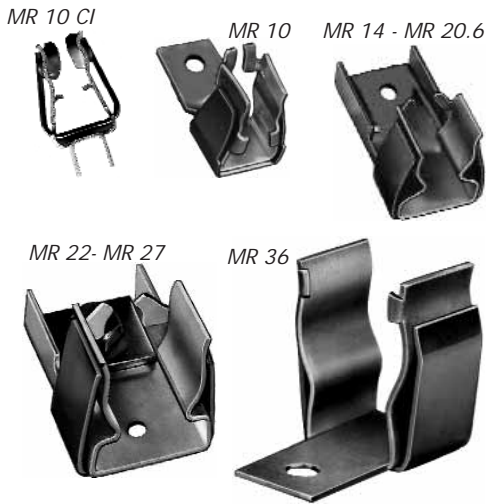




Gears & Fuse Gears

Semiconductor Fuses AC+DC Ferrule Fuse Holders Clips



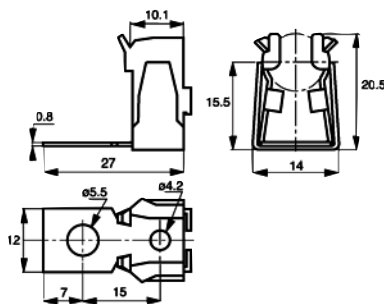
For Ferrule style Fuses
Ø 10 - 14 - 22 - 27 - 36

- SILVER-PLATED COPPER CLIPS: EXTREMELY HIGH THERMAL AND ELECTRIC CONDUCTIVITY
- MOUNTING TYPE:
 - SCREWING ON ISOLATORS
 - SCREWING ON BARS OR INSULATED BARS
 - WELDING ON P.C.B. (MR 10 CI)
- STAINLESS STEEL PRESSURE SPRINGS: HIGHLY RESISTANT TO SALT SPRAY

Main Characteristics

Designation	Current rating I_N (A)	Maximum R.M.S continuous current through IN - rated current fuses (A)	Recommended copper cable section (mm ²)
MR 10	32	32	4
MR 10 CI	32	32	4
MR 14	63	63	10
MR 20	125	125	35
MR 22	135	135	35
MR 27	250	250	120
MR 36	250	250	120

MR 10 - MR 10 CI

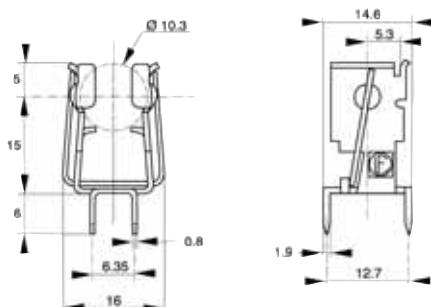
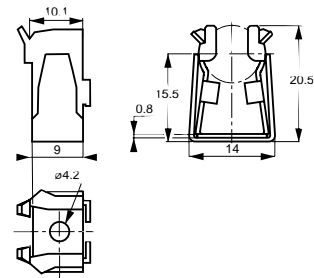


Designation	Ref. Number	Weight (g)	Catalog Number
MR 10	B098004	7	MR10RESSORT

Pack: 20 pieces

Designation	Ref. Number	Weight (g)	Catalog Number
MR 10 without connection	C098994	5,7	MR10RESSORTSP

Pack: 20 pieces



Designation	Ref. Number	Weight (g)	Catalog Number
MR 10 CI	Y098507	4,5	MR10RESSORTCI

Pack: 200 pieces



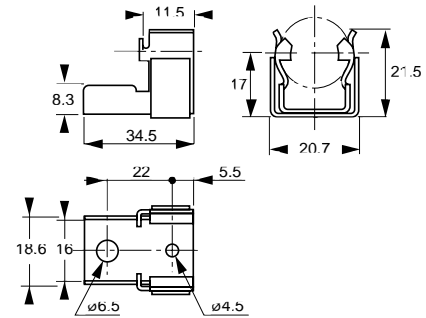
Semiconductor Fuses AC+DC Ferrule Fuse Holders Clips

For Ferrule style Fuses
Ø 10 - 14 - 22 - 27 - 36

MR 14

Designation	Ref. Number	Weight (g)	Catalog Number
MR 14	G098170	16	MR14SPRING

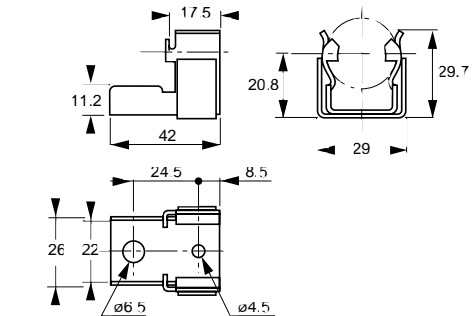
Pack: 10 pieces



MR 20.6

Designation	Ref. Number	Weight (g)	Catalog Number
MR 20.6	H099988	40	MR20.6RESSORT

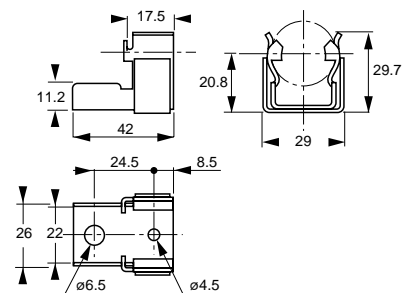
Pack: 20 pieces



MR 22

Designation	Ref. Number	Weight (g)	Catalog Number
MR 22	K098909	40	MR22SPRING

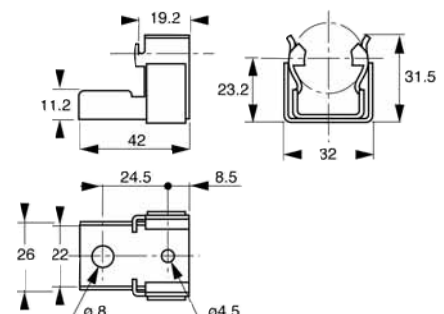
Pack: 10 pieces



MR 27

Designation	Ref. Number	Weight (g)	Catalog Number
MR 27	Y092734	50	MR27RESSORT

Pack: 20 pieces

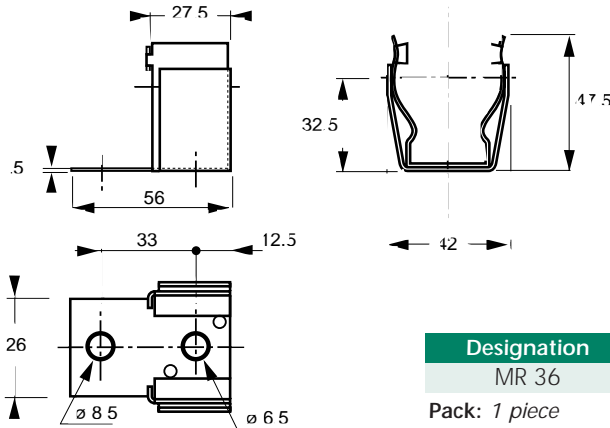




Semiconductor Fuses AC+DC Ferrule Fuse Holders Clips

MR 36

For Ferrule style Fuses
Ø 10 - 14 - 22 - 27 - 36



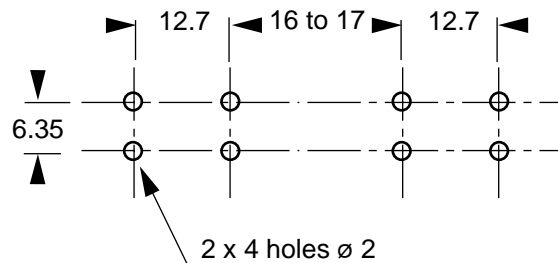
Designation	Ref. Number	Weight (g)	Catalog Number
MR 36	M091275	85	MR36R

Pack: 1 piece

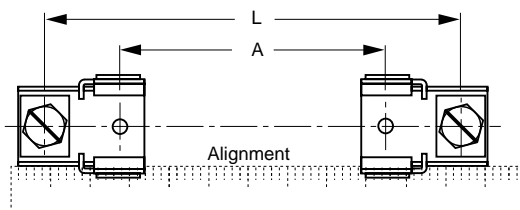
All clips silver-plated copper with stainless steel springs.

Mounting Instructions

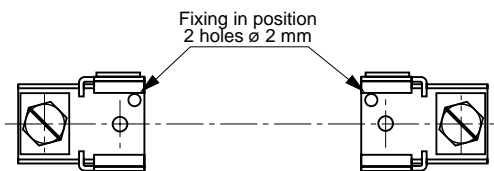
P.C.B. Drilling for MR10 CI clip (10 X 38 Size Fuse)



Clip Mounting



Fuse size	A	L
10 x 38	31	61
14 x 51	42	86
22 x 58	42	91
20 x 51	36	85
20 x 127	113	162
20 x 190	175	224
27 x 60	41	91
36 x 127	100	148
36 x 190	165	231



Mounting of two elastic stop pins of 2 mm dia. for fixing clips in position