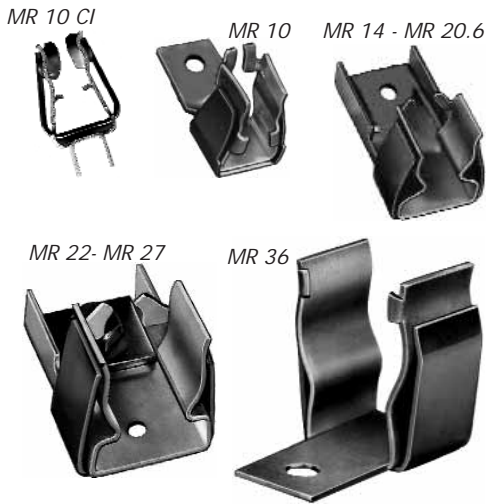




# Gears & Fuse Gears

## IEC General Purpose Fuses Ferrule Fuses Clips



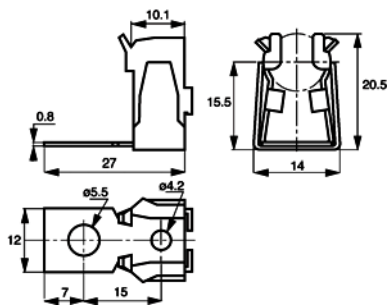
For Ferrule style Fuses  
Ø 10 - 14 - 22 - 27 - 36

- SILVER-PLATED COPPER CLIPS: EXTREMELY HIGH THERMAL AND ELECTRIC CONDUCTIVITY
- MOUNTING TYPE:
  - SCREWING ON ISOLATORS
  - SCREWING ON BARS OR INSULATED BARS
  - WELDING ON P.C.B. (MR 10 CI)
- STAINLESS STEEL PRESSURE SPRINGS: HIGHLY RESISTANT TO SALT SPRAY

### Main Characteristics

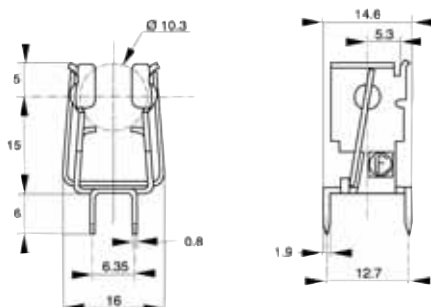
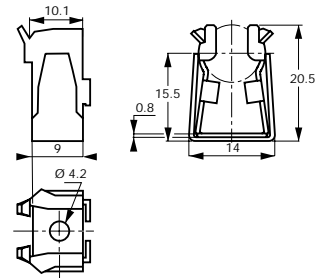
Designation	Current rating IN( A )	Maximum R.M.S continuous current through IN - rated current fuses ( A )	Recommended copper cable section (mm <sup>2</sup> )
MR 10	32	32	4
MR 10 CI	32	32	4
MR 14	63	63	10
MR 20	125	125	35
MR 22	135	135	35
MR 27	250	250	120
MR 36	250	250	120

### MR 10 - MR 10 CI



Catalog Number	Designation	Ref. Number	Weight (g)	Packaging
MR10RESSORT	MR 10	B098004	7	20 pieces

Catalog Number	Designation	Ref. Number	Weight (g)	Packaging
MR10RESSORTSP	MR 10 without connection	C098994	5,7	20 pieces



Catalog Number	Designation	Ref. Number	Weight (g)	Packaging
MR10RESSORTCI	MR 10 CI	Y098507	4,5	200 pieces



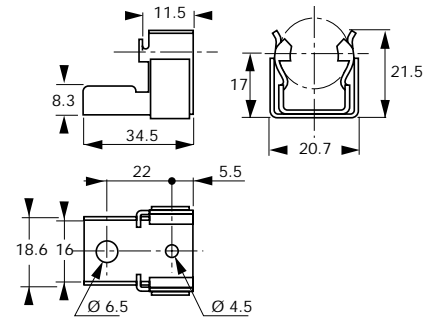
## IEC General Purpose Fuses Ferrule Fuses Clips



For Ferrule style Fuses  
Ø 10 - 14 - 22 - 27 - 36

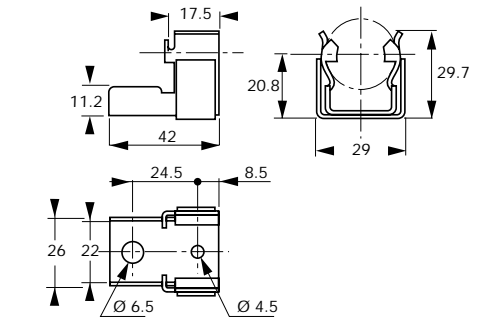
### MR 14

Catalog Number	Designation	Ref. Number	Weight (g)	Packaging
MR14SPRING	MR 14	G098170	16	10 pieces



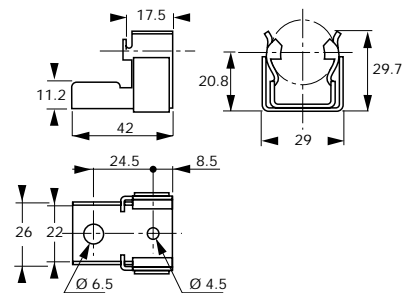
### MR 20.6

Catalog Number	Designation	Ref. Number	Weight (g)	Packaging
MR20RESSORT	MR 20.6	H099988	40	20 pieces



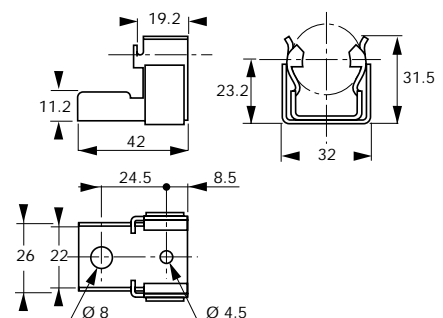
### MR 22

Catalog Number	Designation	Ref. Number	Weight (g)	Packaging
MR22SPRING	MR 22	K098909	40	10 pieces



### MR 27

Catalog Number	Designation	Ref. Number	Weight (g)	Packaging
MR27RESSORT	MR 27	Y092734	50	20 pieces



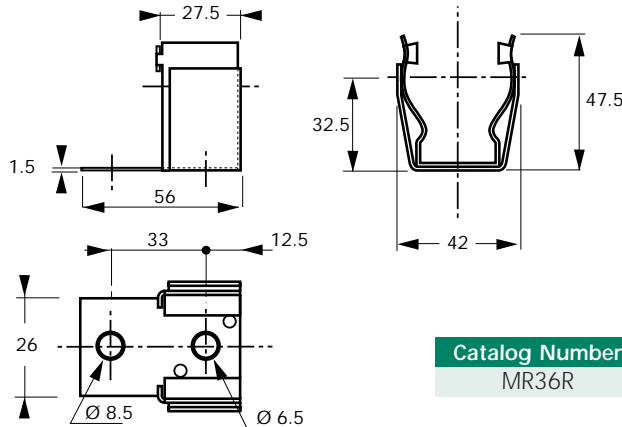


# Gears & Fuse Gears

## IEC General Purpose Fuses Ferrule Fuses Clips



### MR 36

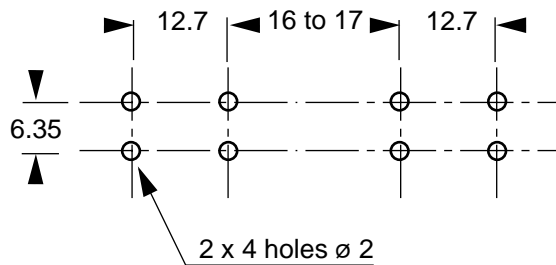


Catalog Number	Designation	Ref. Number	Weight (g)	Packaging
MR36R	MR 36	MO91275	85	1 piece

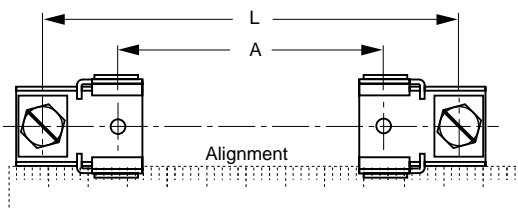
All clips silver-plated copper with stainless steel springs.

### Mounting Instructions

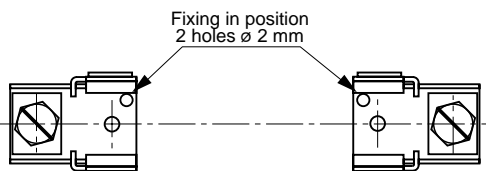
#### P.C.B. Drilling for MR10 CI clip (10 X 38 Size Fuse)



### Clip Mounting



Fuse size	A	L
10 x 38	31	61
14 x 51	42	86
22 x 58	42	91
20 x 51	36	85
20 x 127	113	162
20 x 190	175	224
27 x 60	41	91
36 x 127	100	148
36 x 190	165	231



Mounting of two elastic stop pins of 2 mm dia. for fixing clips in position