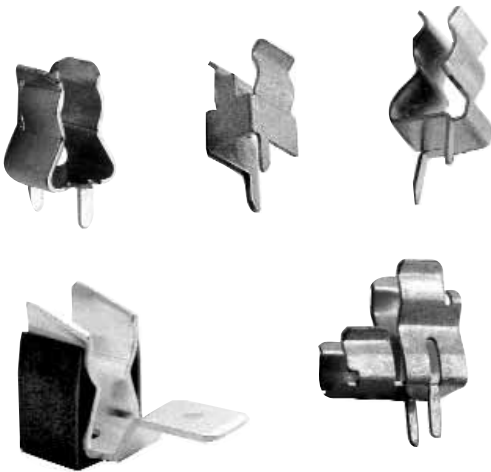




# Gears & Fuse Gears

## Miniature Fuses Clips MR



### 5x20 and 6x32 Fuse sizes

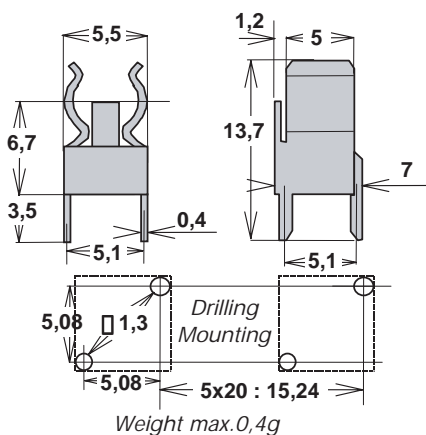
- CLIPS FOR PRINTED CIRCUIT BOARD OR SCREW MOUNTING
- RATED CURRENT BELOW 30A\* DEPENDING ON TYPE

### Main Characteristics

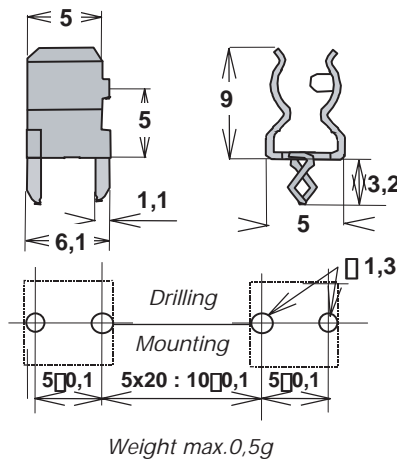
| Size        | Rated Current A | Power acceptance W 23°C | End Stops | Monting  | Material   | Designation | Reference Number | in box of 1000pcs | blister of 50pcs | Catalog Number |
|-------------|-----------------|-------------------------|-----------|--|--|-------------|------------------|-------------------|------------------|----------------|
| 5x20        | 6,3*            | 1,6                     | Yes       | Printed circuitboard                           | Brass, Tin plated                                | MR 5 CI.SP  | W202074          | Yes               | Yes              | MIMR5CISP      |
| 5x20        | 6,3*            | 2                       | Yes       | Printed circuitboard                           | Brass, Tin plated                                | MR 5 CI-S   | J210550          | Yes               | Yes              | MIMR5CI-S      |
| 5x20        | 6,3*            | 2,5                     | Yes       | Printed circuitboard                           | Bronze, Tin plated                               | MR 5 CI-C   | K210551          | Yes               | Yes              | MIMR5CI-C      |
| 5x20 & 6x32 | 6,3*            | 1,6                     | No        | Printed circuitboard                           | Brass, Nickel plated                             | MR 5-6      | Y098967          | Yes               | Yes              | MIMR5-6        |
| 5x20 & 6x32 | 6,3*            | 1,6                     | Yes       | Printed circuitboard                           | Brass, Tin plated                                | MR 5-6.SP   | C204955          | No                | Yes              | MIMR5-6SP      |
| 6x32        | 10*             | 2,5                     | Yes       | Printed circuitboard                           | Bronze, Tin plated                               | MR 6 CI-S   | H210549          | Yes               | Yes              | MIMR6CIS       |
| 6x32        | 30*             | 3,5                     | No        | Screw mounting<br>6,3mm slip-on connector tags | Silver plated copper<br>+ stainless steel spring | MR 6 VI     | K091480          | No                | Yes              | MIMR6VI        |

\* Depends on fuse cover number for 5x20. L210552P

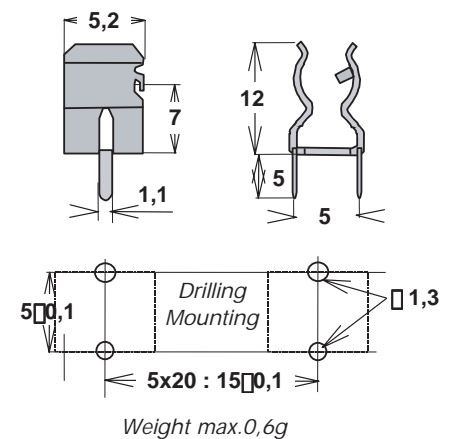
### MR 5 CI.SP:



### MR 5 CI.S:



### MR 5 CI.C:



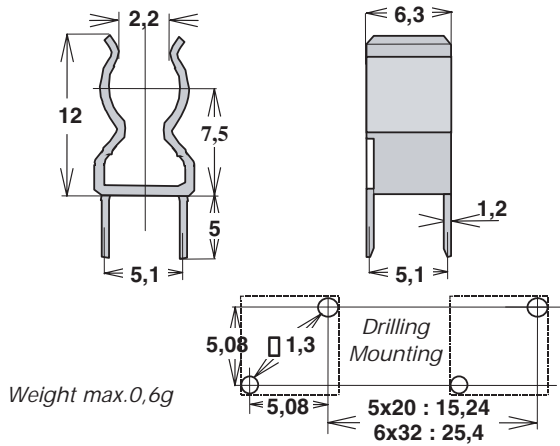
# Gears & Fuse Gears



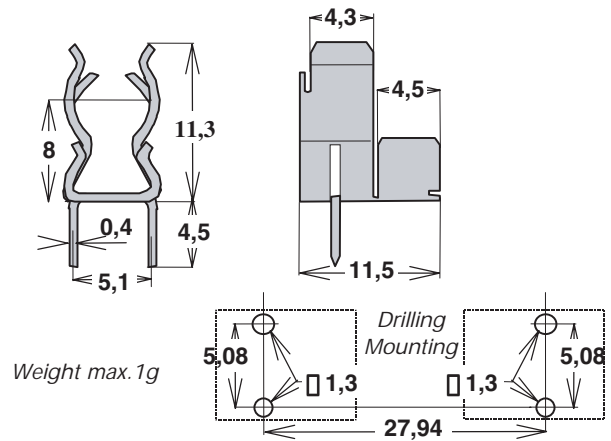
## Miniature Fuses Clips MR

5x20 and 6x32 Fuse sizes

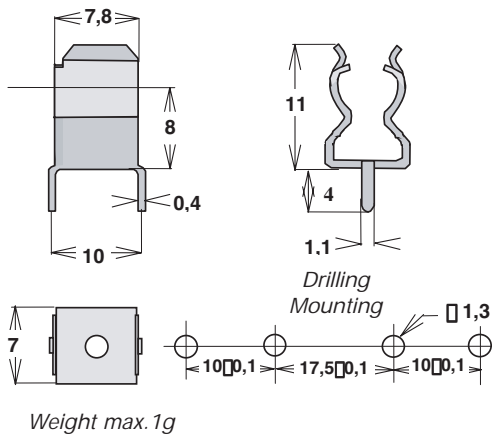
### MR 5 - 6:



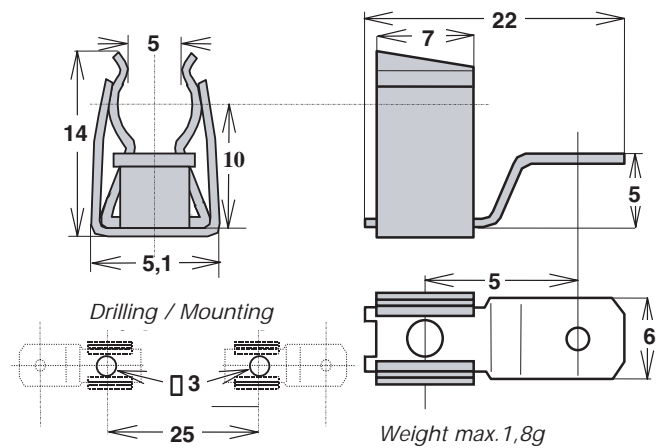
### MR 5 - 6 SP:



### MR 6 CI - S:



### MR 6 VI:



### CPT 5x20 FOR MR5CI-C & MR5-6:

Ref. L210552  
Cat. Num MICPT5MR5CI-C

