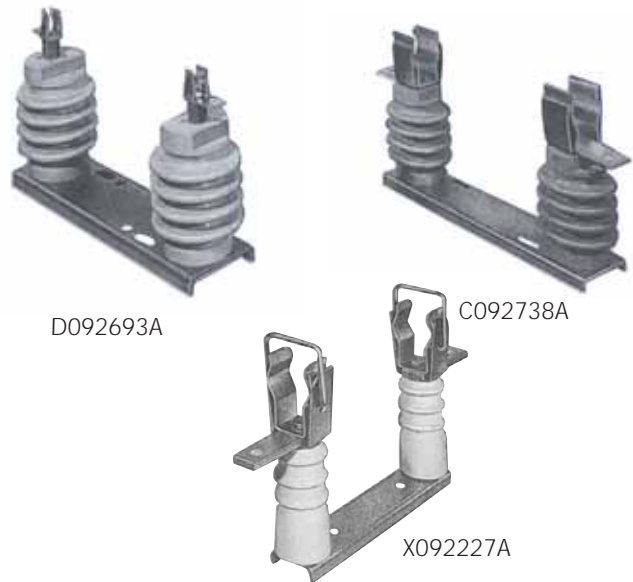




## Medium Voltage Fuses SI Fuse Bases Other MV Fuse Base



### Fuse-holder

Rated voltage (kV)	Designation	Reference Number	Ground voltage withstand		Weight (kg)	Catalog Number
			50 Hz - 1 mn (RMS)	1,2/50µS (kV-peak)		
3,6	SI 50 10x180	S092706	21	45	0,22	SI50-10-180
7,2	S1 85 36x190	C092738	27	60	1,05	SI85-36-190TRA
7,2	S1 85 10x180	D092693	27	60	0,27	SI85-10-180
7,2	S1 85 36x250	P092864	27	60	1,15	SI85-36-250
7,2	S1 120 55x259	X092227	27	60	3,9	SI130-55-259

Pack: 1 piece

The clip MR10, MR 36 and MR 55 can be supplied separately

### Indicating Device

Designation	Number of microswitch	Reference Number	Type of fuse that can be equipped	Length of flexible part	Weight (kg)	Catalog Number
MC 1-5 Flex	1NO/NC	E098674	36x190 and 36x250	395	0,110	MC1-5NFLEX
MC 1-9 Flex	2NO/NC	F098675	36x190 and 36x250	395	0,120	MC1-9NFLEX
MC 1-5 Flex Q	1NO/NC	E092694	55x259	395	0,205	MC1-5NFLEXQ
MC 1-9 Flex Q	2NO/NC	F092695	55x259	395	0,215	MC1-9NFLEXQ

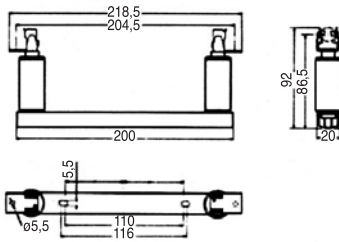
Pack: 1 piece



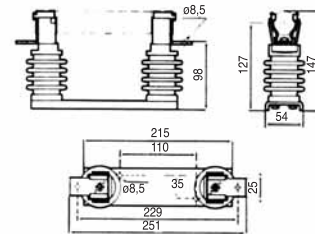
## Medium Voltage Fuses SI Fuse Bases Other MV Fuse Base

### Dimensions

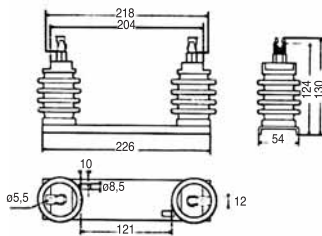
#### SI 50 10x180



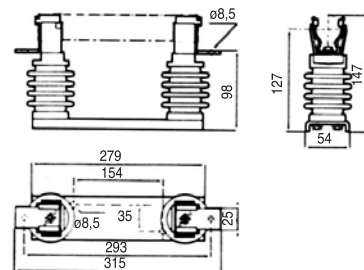
#### SI 85 36x190



#### SI 85 10x180



#### SI 85 36x250



#### SI 120 55x259

