



Semiconductor Fuses American Round Body Modular 703/U705/U710



703, U705, U710 750V SEMICONDUCTOR FUSE HOLDERS

Ferraz Shawmut Semiconductor Fuse Holders feature open face styles. Each version is rated 750 volts and accommodates 14 x 51 mm or 22 x 58 mm fuses. 703, U705 and U710 holders feature Ferraz Shawmut's unique adder-block design which can be snapped onto 1-, 2-, or 3-pole blocks to form multi-pole segmented blocks of as many poles as desired. A choice of box, screw or pressure plate connectors is offered to fit a wide range of standard or solid copper wire. All versions have verified dielectric strengths in excess of 2500V. A patented built-in DIN rail adapter on the U710 blocks adds further design versatility. All fuse clips are made of high conductivity tin-plated copper with spring reinforced clips.

Ratings

- 750V AC
- 30A (703)
- 50A (U705)
- 100A (U710)
- Withstand Rating: 200kA I.R.

Approvals

- UL Recognized Component, Guide IZLT2, File E52283
- CSA Certified, Class 6225, File 32169



Highlights

- Thermoplastic bases
- DIN Rail (U710) or Screw Mount
- Adder block design

Applications:

- All circuits up to 750 volts using semiconductor fuses for protection of small inverters, UPS systems, motor drives, etc.

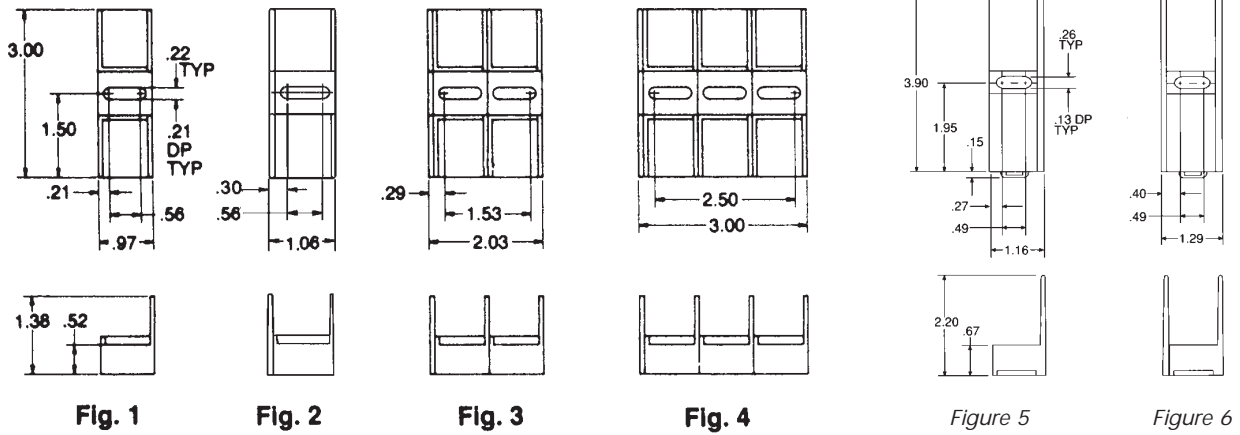
Recommendes fuse usage

703 use with 14x51mm A70QS, A70P, URD, gD up to 30A
U705 use with 14x51mm A70QS, A70P, URD, gD up to 50A
U710 use with 22x58mm A70QS, URD, up to 100A



Semiconductor Fuses American Round Body Modular 703/U705/U710

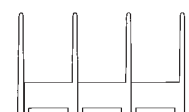
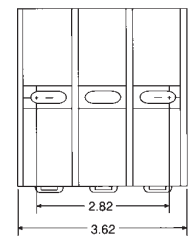
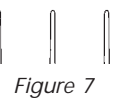
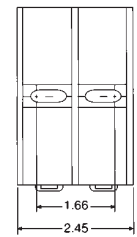
703, U705, U710 750V SEMICONDUCTOR FUSE HOLDERS



Recommended mounting screws; #10 (.190" dia)

750 Volt Fuse Holders for 14 x 51mm & 22 x 58 mm Fuses

Catalog Number	Reference Number	Fuse Size	Ampacity Rating	Poles	Connector		Fig.	Connector Torque (In-lb)
					Type	Wire Range		
U70505		14 x 51	50	Adder	Box	Al/Cu #2-14	1	35
U70506	1							
U70507	2							
U70508	3							
70315		14 x 51	30	Adder	Screw	Cu #10-14	1	20
70316	1							
70317	2							
70318	3							
70325		14 x 51	30	Adder	Pressure Plate	Cu #10-14	1	20
70326	1							
70327	2							
70328	3							
70355		14 x 51	30	Adder	Box	Cu* #4-14	1	35
70356	1							
70357	2							
70358	3							
U71005		22 x 58	100	Adder	Box	Al/Cu #2-14	5	35
U71006	1							
U71007	2							
U71008	3							



*Copper box connectors and clips for copper wires only.

Note: To convert 30A adder pole to single pole, use end barrier #U09322

100A adder pole to single pole, use end barrier #U09372.