

IEC General Purpose Fuses Ferrule Fuses New USCC (UltraSafe)

UL fuse holders: USCC

Fuse holder UL / CSA Listed compliant with UL 512 and CSA 22-2 and tested in accordance with IEC 60947-1 & 3 for fuse disconnecter usage

Electrical characteristics

Nominal Voltage Ui AC/DC	Voltage Isolation Uimp	Nominal Current	Max. power losses in the fuse links	Fuse links rating	Maxi RMS* Current for 1,2, 3 and 3+N poles with FS fuse links For 4, 5 and 6 poles x by 0.9 For 7, 8, 9 poles x 0.8 For ≥ 10 poles x by 0,7			Cable wire section (mm²) recommended
					ATDR	ATM	ATMR	
600V AC	6 kV	30 A	3 W	≤20	20	20	20	2.5
				25	25	25	25	4
				30	30	30	30	6

Note: UL Listed 600V AC

* Datas for ambiente temperature = 20°C.

Wire range : Rigid wire = 1- 16 mm² (18 - 6 AWG) Multistrand wire = 0,75 - 10 mm² (18 - 8 AWG)

Ferraz Shawmut recommends to use screwdrivers PZ 2 or Flat 5.5 x 1 mm (maximum diameter 6 mm)

Maximum Tightening Torque : 2.5 Nm (22lb-in)

IR with UL Class CC fuse links : 200KA @ 600V

ULTRASAFE Fuse holders

for Class CC fuse links



Nb of Pole	ULTRASAFE™ Fuse holder without fuse light melting indicator			Nb of Mod. (17.5 mm)	Pckg box of
	Catalog Number	Ref Number	Description		
1	USCC1	H305033	ULTRASAFE™ CC 1P	1	12
2	USCC2	K305035	ULTRASAFE™ CC 2P	2	6
3	USCC3	L305036	ULTRASAFE™ CC 3P	3	4
4	USCC4	N305038	ULTRASAFE™ CC 4P	4	3
2	USCC1N	J305034	ULTRASAFE™ CC 1P+N	2	6
4	USCC3N	M305037	ULTRASAFE™ CC 3P+N	4	3

Nb of Pole	ULTRASAFE™ Fuse holder with fuse light melting indicator			Nb of Mod. (17.5 mm)	Pckg box of
	Catalog Number	Ref Number	Description		
1	USCC1I	P305039	ULTRASAFE™ CC 1P C/I	1	12
2	USCC2I	R305041	ULTRASAFE™ CC 2P C/I	2	6
3	USCC3I	S305042	ULTRASAFE™ CC 3P C/I	3	4
4	USCC4I	V305044	ULTRASAFE™ CC 4P C/I	4	3
2	USCC1NI	O305040	ULTRASAFE™ CC 1P+N C/I	2	6
4	USCC3NI	T305043	ULTRASAFE™ CC 3P+N C/I	4	3

Accessories

Description	Catalog Number	references Number	Nb of Mod. (17.5 mm)	Maxi. RMS current (A)	Number of poles	Pckg
Kit for Multi-Phase connection links	CMS810PAK	Z233725				12
Lock	LOCK	M223525				1
Tag and lockout	TAGLOCKCMS810	A235773				1
jumping bars 1 phase size 8/10 *	CMS810BB1F13	T210306	13	63	1	10
jumping bars 2 phases size 8/10 *	CMS810BB2F6	V210307	6	63	2	10
jumping bars 3 phases size 8/10 *	CMS810BB3F4	W210308	4	100	3	10
jumping bars 4 phases size 8/10 *	CMS810BB4F3	X210309	3	100	4	10
1 phase lateral incoming power supply	TBB1C	E210316		90		50
2 & 3 phases lateral incoming power supply	TBB23C	G210318		90		50
1 phase axial incoming power supply	TBB1A	D210315		90		50
2 & 3 phases axial incoming power supply	TBB23A	F210317		90		50

Note *: It is possible to use a rigid cable 16 mm² with a jumping bar 1.5 mm thick.

Gears & Fuse Gears

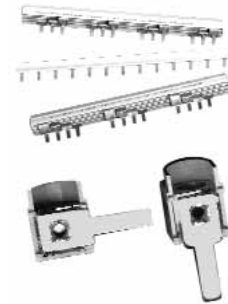
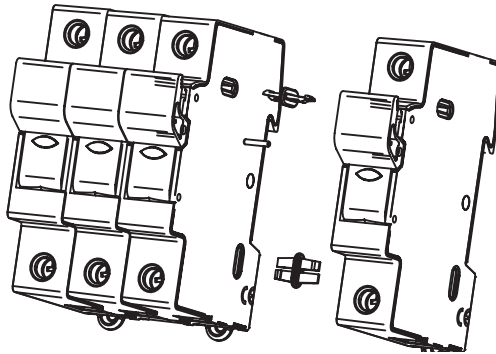
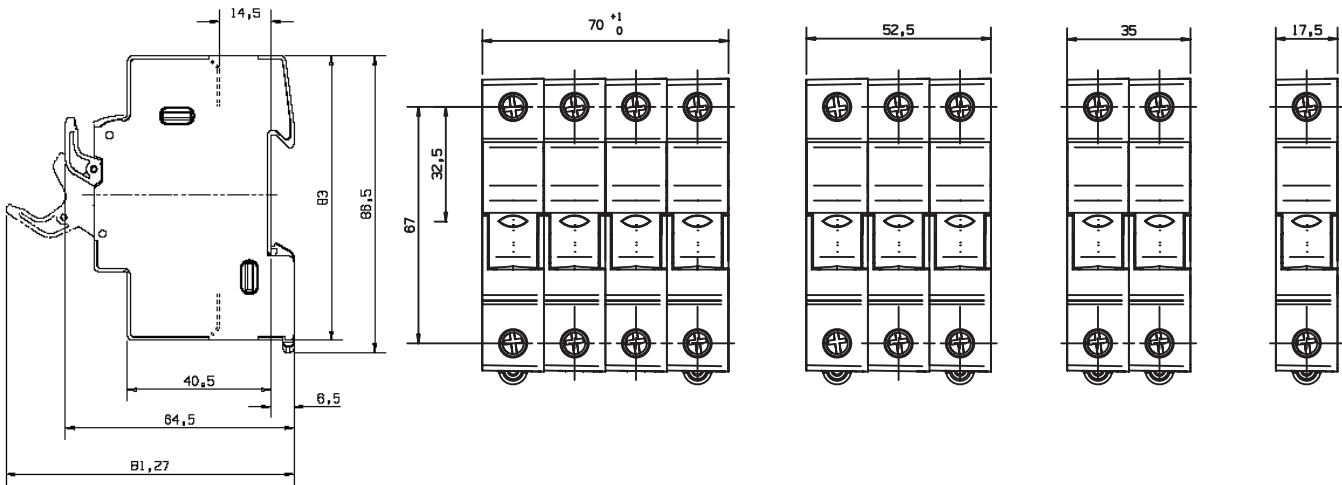


IEC General Purpose Fuses Ferrule Fuses New USCC (UltraSafe)

UL fuse holders: USCC



Dimensions



Accessories

Description	Catalog Number	references Number	Nb of Mod. (17.5 mm)	Maxi. RMS current (A)	Number of poles	Pckg
Kit for Multi-Phase connection links	CMS810PAK	Z233725				12
Lock	LOCK	M223525				1
Tag and lockout	TAGLOCKCMS810	A235773				1
jumping bars 1 phase size 8/10 *	CMS810BB1F13	T210306	13	63	1	10
jumping bars 2 phases size 8/10 *	CMS810BB2F6	V210307	6	63	2	10
jumping bars 3 phases size 8/10 *	CMS810BB3F4	W210308	4	100	3	10
jumping bars 4 phases size 8/10 *	CMS810BB4F3	X210309	3	100	4	10
1 phase lateral incoming power supply	TBB1C	E210316		90		50
2 & 3 phases lateral incoming power supply	TBB23C	G210318		90		50
1 phase axial incoming power supply	TBB1A	D210315		90		50
2 & 3 phases axial incoming power supply	TBB23A	F210317		90		50

Note *: It is possible to use a rigid cable 16 mm² with a jumping bar 1.5 mm thick.