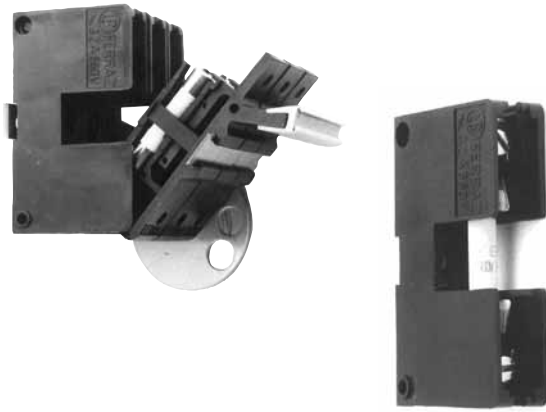




Miniature Fuses Fuse Holders and Disconnectors SI 6.32



For Ferrule-type Fuses 6.3x32

- COMPLIANCE WITH IEC 947-3.
- MOUNTING ON SYMMETRICAL OR ASYMMETRICAL 35 mm DIN-RAIL.
- PROTECTION AGAINST TOUCHING OF LIVE PARTS.
- PROTECTION DEGREE: IP 2X FOR DISCONNECTORS (WHEN DEVICE IS CONNECTED AND CLOSED)
- SILVER-PLATED CLIPS WITH ELASTIC CLAMPING.
- SELF-EXTINGUISHING MATERIAL VO-CLASS AS PER UL94.
- PADLOCKING DEVICE, BLOWN FUSE INDICATION THROUGH L.E.D ON REQUEST.
- SALT SPRAY-PROOF VERSION AVAILABLE ON REQUEST.

Main Characteristics

Insulation voltage: 690 V

Rated conventional current I_{th} : 32 A

Permissible max. power: 3,5 W

Impulse withstand voltage U_{imp} : 8 kV

Overload current limitation:

Operation class: AC 20 B

Short-circuit withstand current with Ferraz Shawmut fuses: I_c maxi = 4,7 kA.

Power frequency withstand voltage: 2.5 Kv, 50 Hz during 1 min.

- Fuseholders without grip with FERRAZ SHAWMUT fuses: No limitation
- Disconnector with FERRAZ SHAWMUT fuse rated ≤ 10 A: No limitation
- Disconnector with FERRAZ SHAWMUT fuse rated > 10 A: Clearing of overloads longer than 200 s by another protection device (thermal relay or other)

Connections:

CC type: Screw clamp terminals for copper cables with 10 mm² max. section.

LL type : 6.3 mm clips.

LC type : Upstream clips and downstream screw clamp terminals.

- Recommended tightening torque for clamp terminals: 1.2 Nm to 1.4 Nm.

- Maximum tightening torque for holders: 1.5 to 2 Nm.

Blown fuse indication auxiliary contact:

- Factory mounted and operating only with a 6.3x32 fuse with trip-indicator

	Non inductive load			Inductive load $\cos \varphi=0.6$ or $L/R=2.5$ ms		
	30 V	110 V	250 V	30 V	110 V	250 V
AC interrupting rating	5 A	5 A	5 A	5 A
DC interrupting rating	4 A	0.4 A	2 A	0.4 A

- Minimum voltage-current for a certain operating: 24 V 10 mA
- Connection: Soldering or 2.8 mm clips

Blown-fuse LED indication:

- In-factory mounted . DC: 1 LED with polarization + 1 LED with upstream terminal; AC: 2 LEDs.
- Maximum operating voltage according to models: up to 250 V (AC and DC)
- Current after fuse blowing : 1.7 mA to 6 mA.



Miniature Fuses Fuse Holders and Disconnectors SI 6.32

For Ferrule-type Fuses 6.3x32

Holders without grip



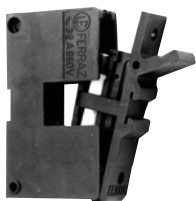
Ref. Number	Designation	Connecting	Catalog Number
M091482	SI 6.32 CC	Screw clamp	MIS1CC6
Z091746	SI 6.32 LL	6.3 mm clips.	MIS1LL6
J091939	SI 6.32 LC	Upstream clips and downstream screw clamp	MIS1LC6

No protection against live terminals and fuse touching.

Mounting: Directly screwed on base or snapped on DIN-rail an adaptation (refer to accessories).

Packaging: 10 pieces - Weight: 30g

Disconnectors with or without interlocking



Without locking



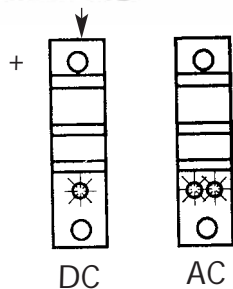
With locking grip

Ref. Number	Designation	Connecting	Catalog Number
N091483	SI 6.32 CC PRE	Screw clamp	MIS1C6P
M091942	SI 6.32 PRE V	Screw clamp with lock	MIS1C6PV
G082990	SI 6.32 CC PRE BS M	Screw clamp	MIS1C6PBSMC
E091728	SI 6.32 LL PRE	6.3 mm clips	MIS1LL6P
Q091945	SI 6.32 LL PRE V	6.3 mm clips with locking	MIS1LL6PV
R091946	SI 6.32 LC PRE	Upstream clips and downstream screw clamp	MIS1LC6P
W091973	SI 6.32 LC PRE V	Upstr. clips and downstr. screw clamp with locking	MIS1LC6PV

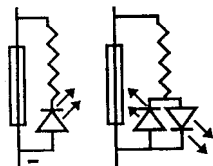
Mounting : Directly screwed on base or snapped on DIN-rail an adaptation (refer to accessories).

Packaging: 10 pieces - Weight: 40g

Disconnectors with led indication



Schéma



Ref. Number	Designation	Connecting	Max voltage of the circuit	Catalog Number
F091982	SI 6.32 CC PRE D 30	Screw clamp	30V DC Upstream terminal at plus	MIS1C6PD3
Q092014	SI 6.32 LL PRE D 30	6.3 mm clips		MIS1LL6PD3
A092046	SI 6.32 LC PRE D 30	Clip upstr./Clamp downstr.		MIS1LC6PD3
G091983	SI 6.32 CC PRE D 50	Screw clamp	50V DC Upstream terminal at plus	MIS1C6PD5
W092019	SI 6.32 LL PRE D 50	6.3 mm clips		MIS1LL6PD5
B092047	SI 6.32 LC PRE D 50	Clip upstr./Clamp downstr.		MIS1LC6PD5
A091954	SI 6.32 CC PRE D 125	Screw clamp	125V DC Upstream terminal at plus	MIS1C6PD12,5
S092016	SI 6.32 LL PRE D 125	6.3 mm clips		MIS1LL6PD12,5
C092048	SI 6.32 LC PRE D 125	Clip upstr./Clamp downstr.		MIS1LC6PD12,5
J091985	SI 6.32 CC PRE D 250	Screw clamp	250V DC Upstream terminal at plus	MIS1C6PD25
T092017	SI 6.32 LL PRE D 250	6.3 mm clips		MIS1LL6PD25
D092049	SI 6.32 LC PRE 2D 250	Clip upstr./Clamp downstr.		MIS1LC6PD25
K091986	SI 6.32 CC PRE 2D 30	Screw clamp	30V AC	MIS1C6P2D3
V092018	SI 6.32 LL PRE 2D 30	6.3 mm clips		MIS1LL6P2D3
E092050	SI 6.32 LC PRE 2D 30	Clip upstr./Clamp downstr.		MIS1LC6P2D3
L091987	SI 6.32 CC PRE 2D 50	Screw clamp	50V AC	MIS1C6P2D5
R092015	SI 6.32 LL PRE 2D 50	6.3 mm clips		MIS1LL6P2D5
F092051	SI 6.32 LC PRE 2D 125	Clip upstr./Clamp downstr.		MIS1LC6P2D5
M091988	SI 6.32 CC PRE 2D 125	Screw clamp	125V AC	MIS1C6P2D12,5
X092020	SI 6.32 LL PRE 2D 125	6.3 mm clips		MIS1LL6P2D12,5
G092052	SI 6.32 LC PRE 2D 125	Clip upstr./Clamp downstr.		MIS1LC6P2D12,5
N091989	SI 6.32 CC PRE 2D 250	Screw clamp	250V AC	MIS1C6P2D25
Y092021	SI 6.32 LL PRE 2D 250	6.3 mm clips		MIS1LL6P2D25
H092053	SI 6.32 LC PRE 2D 250	Clip upstr./Clamp downstr.		MIS1LC6P2D25

Mounting : Directly screwed on base or snapped on DIN-rail an adaptation (refer to accessories).

Packaging: 5 pieces - Weight: 40g



Miniature Fuses Fuse Holders and Disconnectors SI 6.32

Disconnectors with auxilliary contact indication



Ref. Number	Designation	Connecting	Catalog Number
T092109	SI 6.32 LL PRE+MC 2,5	6.3 mm clip.	MIS1LL6PMC
P092335	SI 6.32 LC PRE+MC 2,5	Upstream clips and downstream screw clamp	MIS1LC6PMC

Impossible for SI 6.32 CC PRE type disconnector.

Mounting: Directly screwed on base or snapped on DIN-rail an adaptation (refer to accessories).

Packaging: 5 pieces - Weight: 45g

Disconnectors with neutral dummy fuses



Ref. Number	Designation	Connecting	Catalog Number
W092088	SI 6.32 CC PRE + Neutre	Screw clamp	MIS1C6P+N
X092089	SI 6.32 LL PRE + Neutre	6.3 mm clip	MIS1LL6P+N
X085879	SI 6.32 LC PRE + Neutre	Upstream clips and downstream screw clamp	MIS1LC6P+N

Mounting: Directly screwed on base or snapped on DIN-rail adaptation (refer to accessories).

* 6 x 32 neutral dummy fuse Ref. Number : H 047594.

Packaging: 10 pieces - Weight: 45g

Accessories

Coupling strips for 2, 3 and 4-pole model mounting

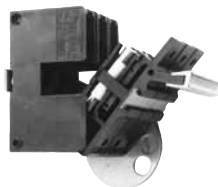


Ref. Number	Designation	Catalog Number
F091867	PROFILE SII 6 X 32 PRE	PROFILE2SI6P
G091868	PROFILE SIII 6 X 32 PRE	PROFILE3SI6P
H091869	PROFILE SIV 6 X 32 PRE	PROFILE4SI6P

Mounting : For slipping on grips. Marking can be slipped on the strip.

Packaging: 10 pieces - Weight: 2,5g

Off-position padlocking devices for 1, 2, 3 and 4-pole models



Ref. Number	Designation	Catalog Number
B092070	DISPOSITIF CAD SI 6 X 32 PRE	MICADSI6P

Only one device to be cut according to the number of poles (pre-cut in factory).

Padlocking in off-position by 3 dia. 8mm padlocks.

Packaging: 5 pieces - Weight: 38g

Fixing adapters for DIN-rail mounting

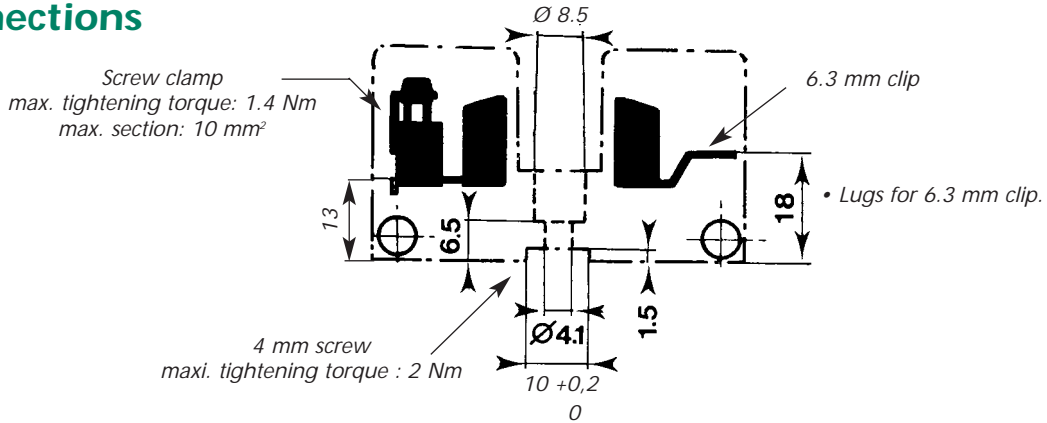
	Rail type	Ref. Number	Designation	Packaging	Weight	Catalog number
	DIN symmetrical EN 50022	B092093	FIXOMEGA FM4	10	1,5g	MIFIXOMEGAFM4
	DIN asymmetrical EN 50035	K097046	EF 46	10 and 100	4g	-

Gears & Fuse Gears

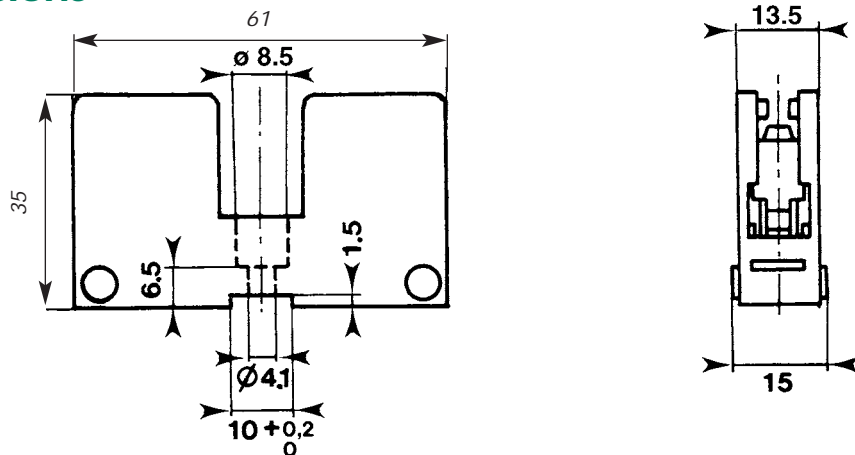


Miniature Fuses Fuse Holders and Disconnectors SI 6.32

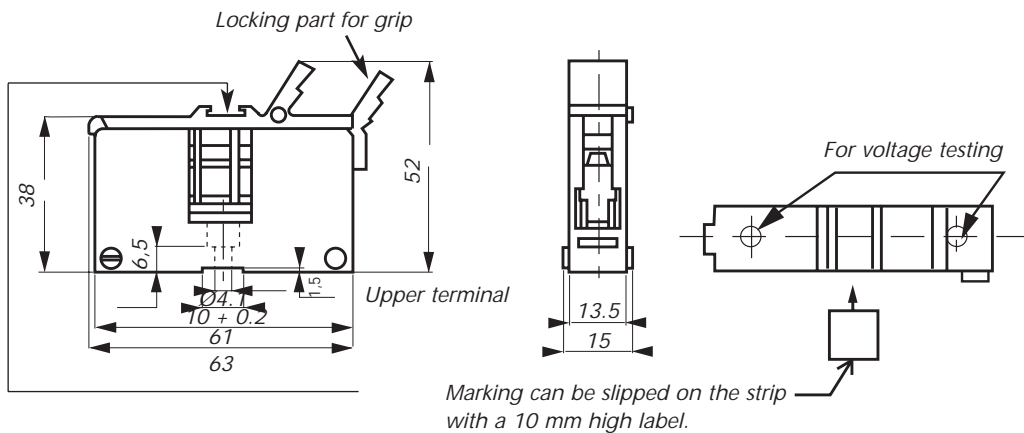
Connections



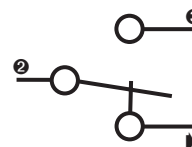
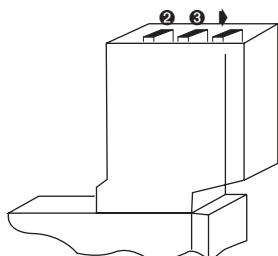
Holder dimensions



Disconnecter dimensions



Connecting auxiliary blown-fuse microswitch



Connection:
Soldering or 2.8 mm clips