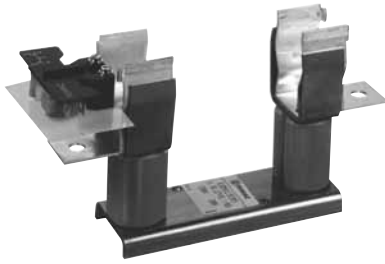




Gears & Fuse Gears

Semiconductor Fuses AC+DC Ferrule FuseHolders SI Bases for 20 & 36



FUSE HOLDERS FOR FERRULE-TYPE FUSES 36 x 127

- STURDY ASSEMBLY WITH VERY HIGH COLLISION WITHSTAND
- MOUNTING AS BASE WITH OR WITHOUT MICROSWITCH
- POLYESTER ISOLATORS FOR ALL APPLICATIONS

Main Characteristics

Designation	Thermal current rating (Ith)*	Maximum power (W)	Insulation voltage Ui (AC 50/60 Hz & DC) (According to VDE 0110 : 565 - C group)	Dielectric withstand test		Fire and fumes class
				RMS voltage 1 mn 50/60 Hz (1)	Impulse voltage 1.2/50ms	
SI 36 x 127 BS SI 36 x 127 BS + MC 1-5 BS	200A	Fitted to FERRAZ SHAWMUT fuses	2 500 V	10 kV ⁽¹⁾ phase-ground 9 kV phase-microswitch (1) Tests according to IEC 60 & 694 and NF C 64010 Dry atmosphere, new fuse holder	Consult us phase-microswitch	UL 94-VO

Note: SI 36 x 127 BS fuse holder may be used for rolling stock.

Vibration withstand:

Tests with sine vibrations carried out at ambient, scanning each of the three main axes of the holder.

Spectrom: 1st segment (2 to 16 Hz) constant displacement $x = 5$ mm peak.

2nd segment (16 to 250 Hz) constant acceleration $\gamma = 5$ g peak.

Exponential scanning speed: 1 octave per minute.

Duration: 2 hours per axis

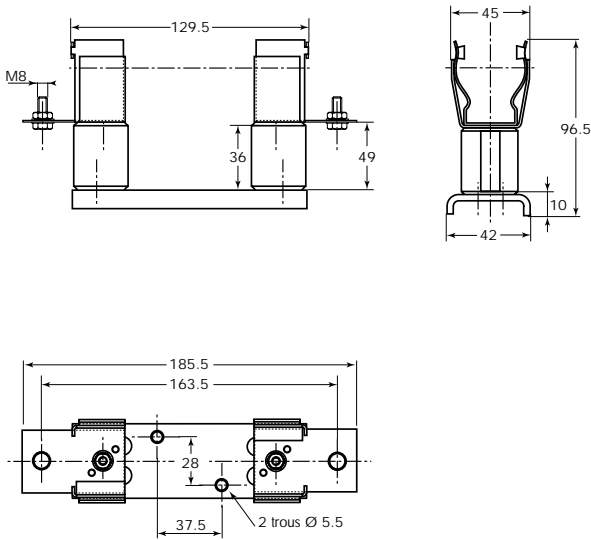


Semiconductor Fuses AC+DC Ferrule Fuse Holders SI Bases for 20 & 36

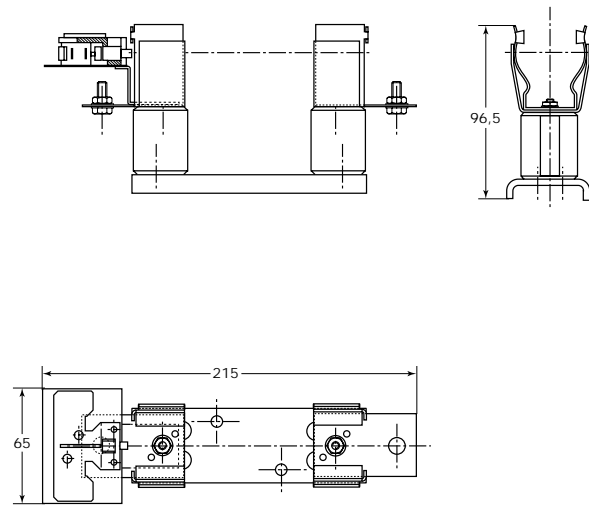
FUSE HOLDERS FOR FERRULE-TYPE FUSES 36 x 127

Fuse Holders and Accessories

Without microswitch



With microswitch



Designation	Ref. Number	Catalog Number	Weight (g)
SI 36 127 BS	N 091920	SI36127BS	406
SI 36 127 BS + MC 1-5 BS	E 091935	SI36127BSMCR	456

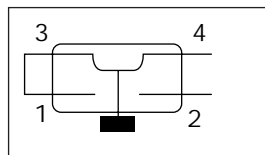
* Electrical connection of fuse holder and wires by screws made in plated steel 8-8 class (supplied with fuseholder).

Maximum recommended tightening torque: $22 \pm \frac{0}{8}$ Nm for M8 screw.

- Fixing of base with M5 screws. Tightening torque $7 \pm 1,5$ Nm.

Microswitch Characteristics

Microswitch current rating	Interrupting rating Non-inductive circuit
10 A - 50 Hz	7 A - 250 V
10 A - DC	10 A - 30 V
	2,2 A - 110 V



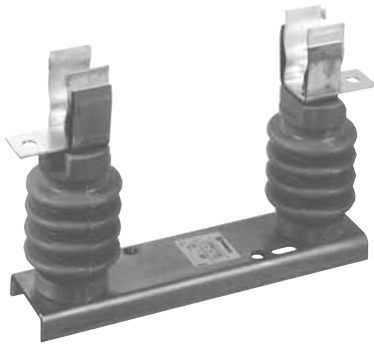
- With hand-made resetting reversing style microswitch 10A - 250V AC with $\cos j = 0.3$
- #1 and 3 terminals must always be connected

Each microswitch weighs less than 100g, therefore no fume and smoke grade required.

Positive operating voltage/current : 20 V - 100 mA
6.35 mm slip on connector tags



Semiconductor Fuses AC+DC Ferrule Fuse Holders SI Bases for 20 & 36



FUSE HOLDERS FOR FERRULE-TYPE FUSES

20.6 x 190
36 x 190
36 x 250
36 x 400

- STURDY ASSEMBLY WITH VERY HIGH COLLISION WITHSTAND
- MOUNTING AS BASE WITH OR WITHOUT MICROSWITCH
- POLYESTER ISOLATORS FOR ALL APPLICATIONS

Main Characteristics

Designation	Thermal current rating (Ith)*	Insulation voltage Ui (AC 50/60 Hz & DC) (According to VDE 0110 : 565 - C group)	Dielectric withstand test		Fire and fumes class
			RMS voltage 1 mn 50/60 Hz (1)	Impulse voltage 1.2/50ms	
SI 85 - 20 - 190 SI 85 - 20 - 190 + MC 2R 1 - 5	50 A	7 200 V	27 kV phase-ground	60 kV phase-ground	UL 94 VO
SI 85 - 36 - 190 TRAC SI 85 - 36 - 190 + MC 2R 1 - 5					
SI 85 - 36 - 250	50 A	7 200 V	9 kV phase- microswitch		
SI 85 - 36 - 400 TRAC	20 A	7 200 V			

Note: "TRAC" in catalog number means that fuse holder may be used for rolling stock with reinforced fixing of clips on isolators.
* No use limitation for FERRAZ SHAWMUT fuses mounted in the above holders.

Vibration withstand:

Tests with sine vibrations carried out at ambient with scanning each of the three main axis of the holder.

Spectrum: 1st segment (2 to 16 Hz) constant displacement $x = 5$ mm peak.

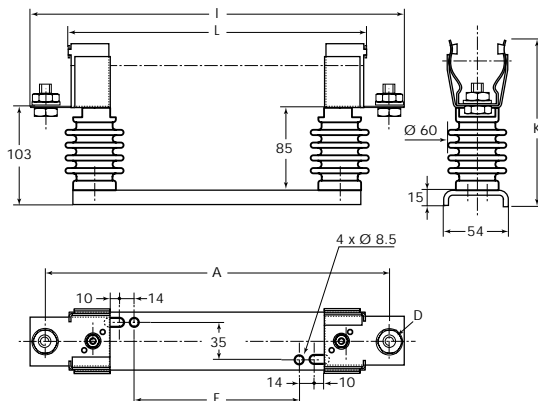
2nd segment (16 to 250 Hz) constant acceleration $\gamma = 5$ g peak.

Exponential scanning speed: 1 octave per minute.

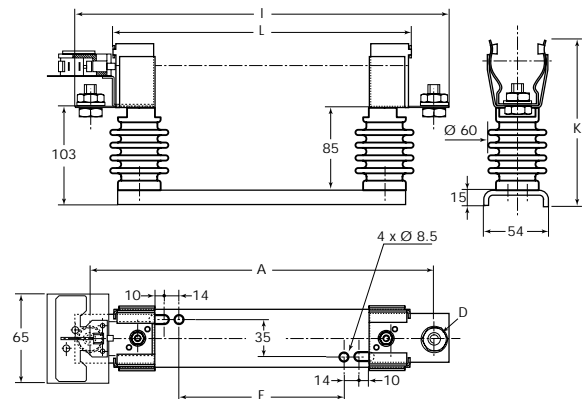
Duration: 2 hours per axis.

Fuse Holders and Accessories

Without microswitch



With microswitch





Semiconductor Fuses AC+DC Ferrule FuseHolders SI Bases for 20 & 36

FUSE HOLDERS FOR FERRULE-TYPE FUSES

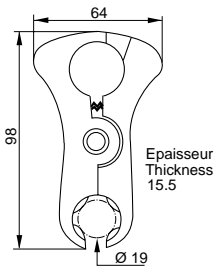
20.6 x 190

36 x 190

36 x 250

36 x 400

for 20 x 190:



Cat. Number: PMCP 20 + 22
Ref. Number: K 100036
Weight: 40 g
Packaging: 1

Designation	Ref. Number	Catalog Number	Weight (g)
SI 85 20 x 190	Y 092665	SI85-20-190	950
SI 85 20 x 190 + MC 1-5	B 220525	SI85-20190TRACM	1 050
SI 85 36 x 190 TRAC	C 092738	SI85-36-190TRA	1 080
SI 85 36 x 190 + MC 2R1-5	B 220617	SI85-36190TRACM	1 180
SI 85 36 x 250	P 092864	SI85-36-250	1 170
SI 85 36 x 400 TRAC	D 092831	SI85-36400TRAC	1 400

Pack : 1 piece

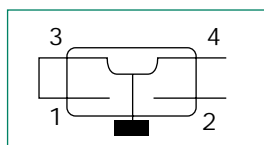
Dimensions					
I	L	A	F	D	K
241	192	223	73	6.5	131
288	192	223	73	6.5	131
250	194	228	73	8.5	150.5
299	194	228	73	8.5	
316	260	294	139	8.5	
455	399	433	266	8.5	

* Electrical connection of fuse holder and wires by screws made in plated steel 8-8 class (supplied with fuseholder).
maximum tightening torque advised: 22^{+0}_{-8} Nm for M8 screw. (SI 85 36x ...)
 9 ± 2 Nm for M6 screw. (SI 85 20x ...)

- Fixing of base with M8 screws. Tightening torque 10 ± 2 Nm.

Microswitch Characteristics

Microswitch current rating	Interrupting rating Non-inductive circuit
10 A - 50 Hz	7 A - 250 V
10 A - DC	10 A - 30 V
	2,2 A - 110 V



- With hand reset reversing-type microswitch 10A - 250V AC with $\cos \varphi = 0.3$
- #1 and 3 terminals must always be connected

Each microswitch weighs less than 100g, therefore no fume and smoke grade required.

Positive operating voltage/current : 20 V - 100 mA
6.35 mm slip on connector tags