



## Semiconductor Fuses AC+DC Ferrule Fuse Holders ST22



ST 22

### ST Fuse Disconnectors Size 22

- IN ACCORDANCE WITH IEC 947-3 AND EN 60947-3  
OPERATION CLASS: AC20B  
IMPULSE WITHSTAND VOLTAGE: 6 AND 8 kV (1.2/50  $\mu$ s wave)
- WITH PRE-ISOLATING AND BLOWN-FUSE INDICATING MICROSWITCHES
- COMPLETE PROTECTION AGAINST TOUCHING OF LIVE PARTS
- PROTECTION DEGREE: IP 2X
- HIGH-PERFORMANCE ST RANGE COMPLIANT WITH THE NEW EUROPEAN VOLTAGE RATINGS (IEC 33)  $U_N$  480-690 V AC/DC  $I_N$  UP TO 125 A

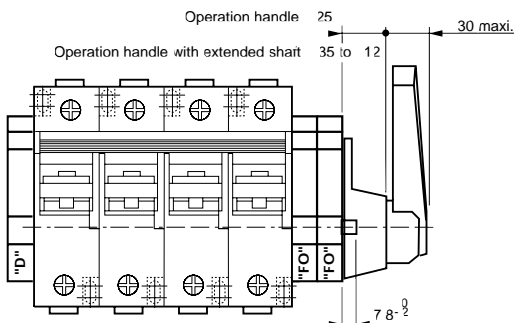
### Main Characteristics

Size	AC Insulation voltage rating $U_i$ (V) AC/DC	Impulse withstand voltage $U_{imp}(kV)(1)$	Current rating $I_N$ (A)	Fuse current rating $I_N$ (A)	Maximum fuse operating current (A)						Recommended copper wire gauge (mm <sup>2</sup> )	Fire and fumes class NF F 16-102
					gG	aM	gR/UR		gRC	gL		
ST 22	690 (CEI) 700 (US)	8	125	25	25	25	25	25	25	25	4	I3-F1
				32	32	32	29	29	29	32	6	
				40	40	40	35	35	35	40	10	
				50	50	50	40	40	40	50	10	
				63	63	63	52	51	52	63	16	
				80	80	80	65	64	65	75	16	
				100	100	100	76	74	76	85	25	
				125	110	125	85				25	
135			87					35				

All terminals silver-plated copper

(1) Between close phases and phase and mass, between phases and microswitch as per IEC 947-1

### Mounting with a padlocking right side-handle for ST 22



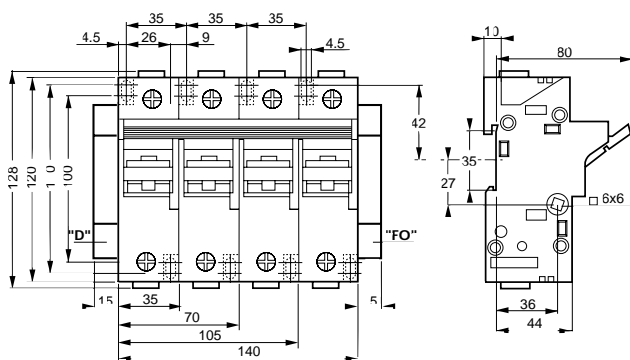
Designation	Ref. Number	Qty. of «FO»	Qty. of «D»	Catalog Number
ST22 IIIN FOFOD+CDELAT.D.	M 209633	2	1	
ST22 IIIN FOFO+CDELAT.D.	N 209634	2	0	
ST22 IIIN FOD+CDELAT.D.	P 209635	1	1	
ST22 IIIN FO+CDELAT.D.	Q 209636	1	0	
ST22 III FOFOD+CDELAT.D.	S 209638	2	1	
ST22 III FOFO+CDELAT.D.	R 209637	2	0	
ST22 III FOD+CDELAT.D.	T 209639	1	1	
ST22 III FO+CDELAT.D.	V 209640	1	0	



## Semiconductor Fuses AC+DC Ferrule Fuse Holders ST22



### ST 22 (for 22x58 fuses)



Unmovable screw clamp-type connections for wires:

- one conductor, multistrand or rigid wire: 35 mm<sup>2</sup>
- two conductors, multistrand wire: 16 mm<sup>2</sup>
- two conductors, rigid wire : 25 mm<sup>2</sup>

Minimal section: 2.5 mm<sup>2</sup>

With tightening torque: 2.8 to 3.5 Nm

Mounting:

- simple snap-mounting on standard symmetrical DIN-rail
- direct on board: two M4 screws with tightening torque 1 to 1.2 Nm

Poles	Symbol	Indication <sup>(1)</sup>	Predisconnection <sup>(2)</sup>	Cat. Num	Ref. Num	Approvals	Weight (g)	Pck
1				ST221	F220368		235	12&3
				• ST221FO	M220397		260	1
				• ST221D	N220398		285	1
				• • ST221FOD	P220399		310	1
1+N				ST221N	D220389		485	6&1
				• ST221NFO	E220620		510	1
				• ST221ND	D220619		535	1
				• • ST221NFOD	D220573		560	1
N				ST22N	E220367		250	12&3
2				ST222	B220387		470	6&1
				• ST222FO	R220401		495	1
				• ST222D	S220402		520	1
				• • ST222FOD	T220403		545	1
3				ST223	C220388		705	4&1
				• ST223FO	W220405		730	1
				• ST223D	X220406		755	1
				• • ST223FOD	Y220407		780	1
3+N				ST223N	E220390		955	3&1
				• ST223NFO	A220409		980	1
				• ST223ND	B220410		1005	1
				• • ST223NFOD	C220411		1030	1
4				ST224D	H205926		1030	1

<sup>(1)</sup> Reversing switch-style blown-fuse indication contacts (D model)

<sup>(2)</sup> Reversing switch-style preisolating contacts (FO model) enabling control of protection device and opening of off load disconnecter.

### Preisolating "FO" and blown fuse indication "D" switch characteristics

AC insulation voltage rating (***)	FO or D type	Voltage/current for certain operating	Current rating	Current	Interrupting rating						AC voltage withstand test (*)	Impulse voltage Uimp1.2/50 µs (**)	Switch configuration			
					Non-inductive current			Inductive circuit : L/R = 25ms					1 <sup>er</sup> FO	2 <sup>eme</sup> FO	D	
					30V	110V	250V	30V	110V	250V						
690 V	«FO»	20 V/50 mA	10 A	50/60 Hz	10 A	10 A	7 A	10 A	8 A	6 A	7.5 kV	8 kV	ST22			
690 V	«D»	10 V/10 mA	10 A	DC	5 A	0.5 A		1.6 A	0.3 A		7.5 kV	8 kV	open disconnecter Connecting with 6.3 clips			

\* Between power circuit and microswitch terminals according to IEC 60 and 694 and NFC 64010 (50/60 Hz 1 mn dry air).

\*\* Between power circuit and microswitch terminals Uimp: impulse voltage according to IEC 947-1.

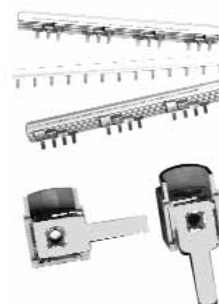
\*\*\* Between power circuit and microswitch terminals

### Mounting adapter

Blue colored AF adapter (Ref. Number Q 098500) available for mounting on standard asymmetrical DIN-rail (EN 50035) and usable for all models.

### Supply wiring bars and terminals

Description	Catalog Number	References	Maximum acceptable RMS current (A)	Pckg
Wiring bar for 6x2 poles Size 22	CMS22BB2F6	C210314	150	5
Wiring bar for 12x1 pole Size 22	CMS22BB1F12	B210313	90	5
Single-pole terminal, side	TBB1C	E210316	90	50
2/3-pole terminal, side	TBB23C	G210318	90	50
Single-pole terminal, axial	TBB1A	D210315	90	50
2/3-pole terminal, axial	TBB23A	F210317	90	50





# Gears & Fuse Gears

## Semiconductor Fuses AC+DC Ferrule Fuse Holders ST22

### ST22 with ring pug connection

Poles	FO	D	Right Handle	Designation	Reference Number	Catalog Number
1	/	/	No	ST 22 Plage Type B	B228828	ST22RING
	/	1	No	ST 22 D Plage Type B	C229910	ST22DRING
2	/	/	No	ST 22 II Plage Type B	K210873	ST222RING
	2	1	No	ST 22 II FOFOD Plage Type B	L210874	ST222FOFODRING
	2	1	Yes	ST22 II FOFOD Cde Lat. D Plage Type B	M210875	ST222LHFOFODRIN
3	/	/	No	ST22 III Plage Type B	N210876	ST223RING
	2	1	No	ST22 III FOFOD Plage Type B	P210877	ST223FOFODRING
	2	1	Yes	ST22 III FOFOD Cde Lat. D Plage Type B	Q210878	ST223LHFOFODRIN
4	2	1	Yes	ST 22 IV FOFOD Cde Lat. D Plage Type B"	M227711	ST224LHFOFODRIN

