



Gears & Fuse Gears

American General Purpose Fuses UltraSafe Range USFM Series - Class CC & Midget & 10x38 Fuses

Three poles fuse holders and fuse disconnectors: USFM10 - USFMM

Electrical characteristics

Nominal Voltage Ui AC/DC	Voltage Isolation Uimp	Nominal Current	Max. power losses in the fuse links	Fuse links rating	Maxi RMS* Current for 1 Three poles system with FS fuse links. For 2 to 7 Three poles systems x by 0.9				Cable wire section (mm²) recommended
					6JX	ATM, SBS, GNF, GGU	ATO, OTM, TMR	URD / gRB	
690 V IEC 600V UL AC20B	6 kV	32 A	3 W	≤12	≤12	≤12	≤12	≤12	2.5
				16	16	16	16	16	2.5
				20	20	20	20	19	2.5
				25	25	25	25	22	4
				30	30		26	25	6
				32		32	27	26	6

* Datos for ambiente temperature = 20°C.

Wire range : Rigid and Multistrand wire = 1- 4 mm² (18 - 10 AWG) - Multistrand wire 6 mm² (9 AWG) with strands repartition between each part of screw -

Maximum multistrand wire for each open lug = 2.6 mm² (12 AWG)

Maximum Tightening Torque : 1.5 Nm (13 lb-in)

Ferraz Shawmut recommends to use screwdrivers PZ 2 or Flat 5.5 x 0.8 mm (maximum diameter 6 mm)

IR with fuses : 120KA @ 500V IEC - 80KA @ 690V IEC - 80 KA @ 700V UL

MODULOSTAR® USFM10

for IEC 10x38 fuse links

Nb of Pole / Width	MODULOSTAR® USFM Fuse holder and Fuse disconnecter			Fonction	
	Catalog Number	Ref Number	Description	Fuse holder	Fuse disconnecter
3 poles system / 45 mm width	USFM10	S302765	USFM10 FUSE HOL 3P 690V 32A EU	w/o Indicator	
	USFM10M	T302766	USFM10M FUSEHOL+MC3P690V32A EU		w/o Indicator
	USFM10I	W302768	USFM10I FUS.HOL3P+V 690V32A EU	with Indicator	
	USFM10MI	V302767	USFM10MI FUS.HOL3P+MC+V690V EU		with Indicator

Pack: 1 piece

Fuse holder is without Prebreaking Microswitch (see accessories)

Fuse disconnecter is with mounted Prebreaking Microswitch



ULTRASAFE USFMM

for Midget and IEC 10x38 fuse links

Nb of Pole / Width	ULTRASAFE™ USFM Fuse holder and Fuse disconnecter			Fonction	
	Catalog Number	Ref Number	Description	Fuse holder	Fuse disconnecter
3 poles system / 45 mm width	USFMM	D302775	USFMM 3P 600V 30A UL	w/o Indicator	
	USFMMM	E302776	USFMMM 3P 600V 30A +MS UL		w/o Indicator
	USFMMI	G302778	USFMMI 3P 600V 30A +LIGHT UL	with Indicator	
	USFMMMI	F302777	USFMMMI 3P 600V 30A +LI+MS UL		with Indicator

Pack: 1 piece

Fuse holder is without Prebreaking Microswitch (see accessories)

Fuse disconnecter is with mounted Prebreaking Microswitch

Accessories

Description	Catalog Number	references Number	Number of systems interconnected	Maxi. RMS current (A)	Number of poles	Pckg
Lock	LOCK	M223525				1
Microswitch	USFMAC11	C302797	1		3	1
Additional Neutral jumping bars 3 phases			1			
Lateral incoming power supply	TBB23C	G210318	4	90	3	50
Axial incoming power supply	TBB23A	F210317		90		50
Interconnexion with SEI 30A Contactor			1		3	
Interconnexion with Rockwell 30A Contactor			1		3	
Interconnexion with SIEMENS 30A Contactor			1		3	
Interconnexion with ABB 30A Contactor			1		3	
Interconnexion with GE 30A Contactor			1		3	

Gears & Fuse Gears



American General Purpose Fuses UltraSafe Range USFM Series - Class CC & Midget & 10x38 Fuses

UL three poles fuse holders: USFMCC

Electrical characteristics

Nominal Voltage Ui AC/DC	Voltage Isolation Uimp	Nominal Current	Max. power losses in the fuse links	Fuse links rating	Maxi RMS* Current for 1 USFM with FS fuse links For 2 to 7 USFM x by 0.9			Cable wire section (mm²) recommended
					ATDR	ATM	ATMR	
600V AC	8 kV	30 A	3 W	≤20	20	20	20	4
				25	25	25	25	
				30	30	30	30	

* Datas for ambiente temperature = 20°C.

Wire range : Rigid and Multistrand wire = 1- 4 mm² (18 - 10 AWG) - Multistrand wire 6 mm² (9 AWG) with strands repartition between each part of screw - Maximum multistrand wire for each open lug = 2.6 mm² (12 AWG)

Maximum Tightening Torque : 1.5 Nm (13 lb-in)

Ferraz Shawmut recommends to use screwdrivers PZ 2 or Flat 5.5 x 0.8 mm (maximum diameter 6 mm)

IR with UL Class CC fuse links : 200KA @ 600V

ULTRASAFE™ USFMCC  
for Class CC fuse links

Nb of Pole / Width	ULTRASAFE™ USFM Fuse holder and Fuse disconnecter			Fonction	
	Catalog Number	Ref Number	Description	Fuse holder	Fuse disconnecter
3 poles system / 45 mm width	USFMCC	P302762A	USFMCC 3 POLES 600V 30A UL	w/o Indicator	
	USFMCCM	B302796A	USFMCCM 3 POLES 600V 30A+M UL		w/o Indicator
	USFMCCI	Q302763A	USFMCCI 3 POLES 600V 30A LIGHT	with Indicator	
	USFMCCMI	R302764A	USFMCCMI 3POLES 600V 30A LI+MC		with Indicator

Pack: 1 piece

Fuse holder is without Prebreaking Microswitch (see accessories)

Fuse disconnecter is with mounted Prebreaking Microswitch



Accessories

Description	Catalog Number	references Number	Number of systems interconnected	Maxi. RMS current (A)	Number of poles	Pckg
Lock	LOCK	M223525				1
Microswitch	USFMAC11	C302797	1		3	1
jumping bars 3 phases			4		3	
Lateral incoming power supply	TBB23C	G210318		90		50
Axial incoming power supply	TBB23A	F210317		90		50
Interconnexion with SEI 30A Contactor			1		3	
Interconnexion with Rockwell 30A Contactor			1		3	
Interconnexion with SIEMENS 30A Contactor			1		3	
Interconnexion with ABB 30A Contactor			1		3	
Interconnexion with GE 30A Contactor			1		3	



Gears & Fuse Gears

American General Purpose Fuses UltraSafe Range USFM Series - Class CC & Midget & 10x38 Fuses

USFM10, USFMM, USFMCC

Ferraz Shawmut Fuse usable in USFM* for Motors protection

P . Motor	Motor Voltage	Ie Motor	AM	CC	GD	JTD
			IEC fuse links	UL listed	UL recognized	UL Listed \leq 60A
4 kW	400/415V	9A	50 aM 10.10*	CC 15*	60 gD 14.12	AJT17.5
	500V	7A	50 aM 10.8*	CC 12*	60 gD 14.10	AJT15
	690V	5A	69 aM 10.6,3*	---	---	AJT10
5.5 kW	400/415V	12	50 aM 10.16*	CC 20*	60 gD 14.18	AJT20
	500V	10	50 aM 10.12*	CC 17*	60 gD 14.15	AJT17.5
	690V	7	69 aM 10.8*	---	---	AJT15
7.5 kW	400/415V	16	50 aM 10.20*	CC 25*	60 gD 14.25	AJT25
	500V	14	50 aM 10.16*	CC 25*	60 gD 14.20	AJT20
	690V	9	69 aM 10.10*	---	---	AJT17.5
11 kW	400/415V	23	50 aM 10.25*	---	60 gD 14.30	AJT40
13 kW	500V	20	50 aM 10.25*	CC 30*	60 gD 14.28	AJT35
10 kW	690V	12	69 aM 14.12	---	---	AJT20
15 kW	400/415V	30	40 aM 10.32	---	60 gD 22.35	AJT60
	500V	25	50 aM 10.25	---	60 gD 14.30	AJT45
	690V	18	69 aM 14.20	---	---	AJT30
18 kW	400/415V	37	50 aM 14.40	---	60 gD 22.55	---
to	500V	30	50 aM 14.32	---	60 gD 14.45	AJT60
20 kW	690V	21	69 aM 14.25	---	---	AJT335
22 kW	400/415V	43	50 aM 14.50	---	60 gD 22.60	---
25 kW	500V	38	50 aM 14.40	---	60 gD 22.50	---
22 kW	690V	25	69 aM 14.32	---	---	AJT45
28 kW	400/415V	54	50 aM 22.63	---	60 gD 27.80	---
32 kW	500V	47	50 aM 22.50	---	60 gD 22.60	---
28 kW	690V	30	69 aM 14.40	---	---	AJT60
32 kW	400/415V	60	50 aM 22.80	---	60 gD 27.100	---
37 kW	500V	55	50 aM 22.63	---	60 gD 27.80	---
32 kW	690V	34	69 aM 14.40	---	---	AJT60
40 kW	400/415V	72	50 aM 22.80	---	60 gD 27.100	---
45 kW	500V	67	50 aM 22.80	---	---	---
40 kW	690V	42	69 aM 14.50	---	---	---
45 kW	400/415V	85	50 aM 22.100	---	---	---
55 kW	500V	80	50 aM 22.100	---	---	---
55 kW	690V	49	69 aM 14.63	---	---	---

* Respectively in USFM10-USFCC

Gears & Fuse Gears

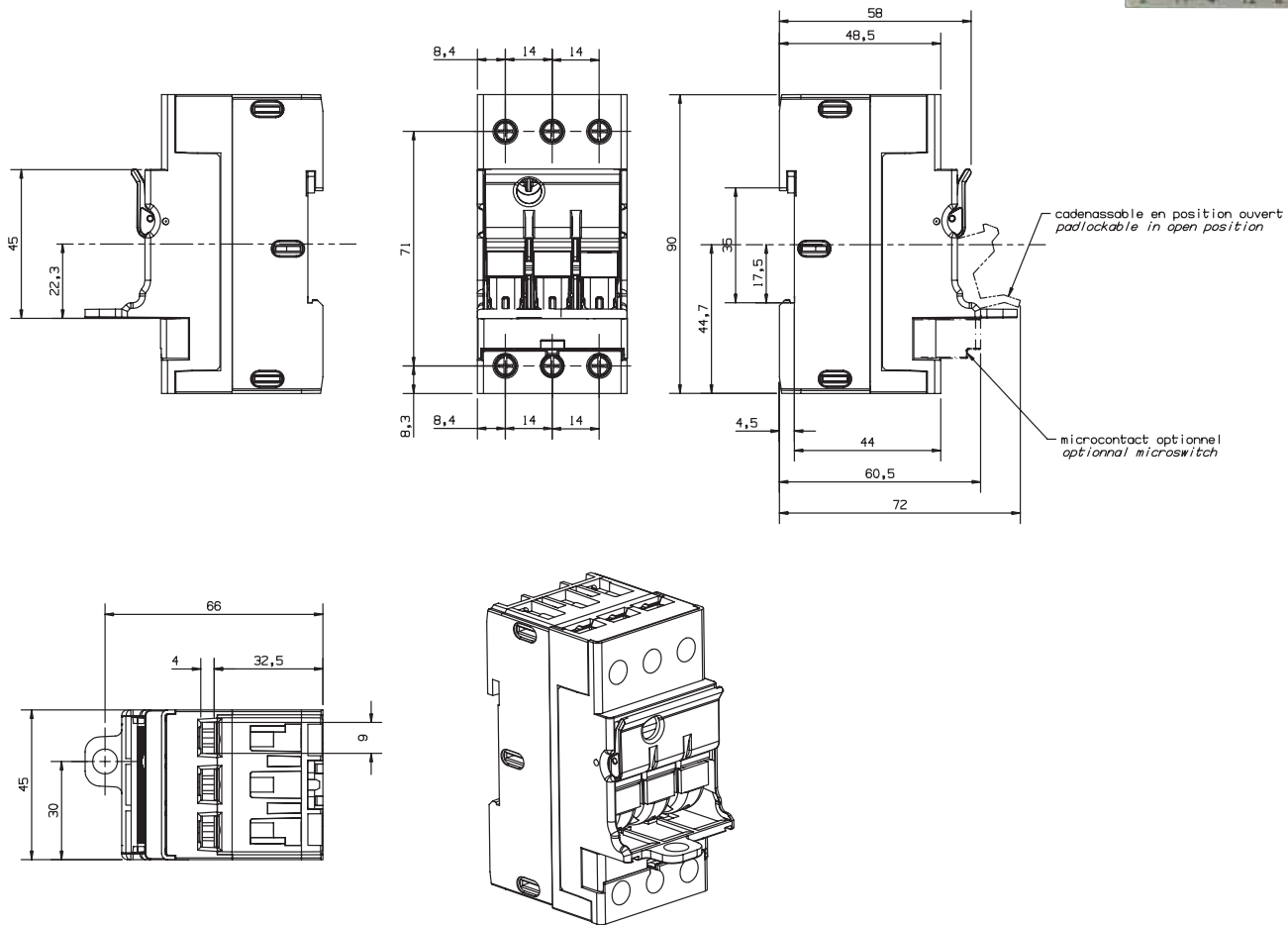


American General Purpose Fuses UltraSafe Range USFM Series - Class CC & Midget & 10x38 Fuses

USFM 10 - USFMM - USFMCC



Dimensions



Accessories

Description	Catalog Number	references Number	Number of systems interconnected	Maxi. RMS current (A)	Number of poles	Pckg
Lock	LOCK	M223525				1
Microswitch	USFMAC11	C302797	1		3	1
Additional Neutral jumping bars 3 phases			1			
Lateral incoming power supply	TBB23C	G210318	2	90	3	50
Axial incoming power supply	TBB23A	F210317		90		50
Interconnexion with SEI 30A Contactor			1		3	
Interconnexion with Rockwell 30A Contactor			1		3	
Interconnexion with SIEMENS 30A Contactor			1		3	
Interconnexion with ABB 30A Contactor			1		3	
Interconnexion with GE 30A Contactor			1		3	