

## IEC General Purpose Fuses Ferrule Fuses Modulostar® USFM10, UltraSafe™ USFMM

Three poles fuse holders and fuse disconnectors: USFM10 / USFMM

### Electrical characteristics

Nominal Voltage Ui AC/DC	Voltage Isolation Uimp	Nominal Current	Max. power losses in the fuse links	Fuse links rating	Maxi RMS* Current for 1 Three poles system with FS fuse links. For 2 to 7 Three poles systems x by 0.9				Cable wire section (mm²) recommended
					6JX	ATM, SBS, GNF, GGU	ATO, OTM, TMR	URD / gRB	
690 V IEC 600V UL AC20B	6 kV	32 A	3 W	≤12	≤12	≤12	≤12	≤12	2.5
				16	16	16	16	16	2.5
				20	20	20	20	20	2.5
				25	25	25	25	25	4
				30		26	30	6	
		32	32	32	27	6			

\* Datas for ambiente temperature = 20°C.

Wire range : Rigid and Multistrand wire = 1- 4 mm² (18 - 10 AWG) - Maximum multistrand wire for each open lug = 2.6 mm² (12 AWG)

Maximum Tightening Torque : 1.5 Nm (13 lb-in)

Ferraz Shawmut recommends to use screwdrivers PZ 2 or Flat 5.5 x 0.8 mm (maximum diameter 6 mm)

IR with fuses : 120KA @ 500V IEC - 80KA @ 690V IEC - 80 KA @ 700V UL

### MODULOSTAR® USFM10

for IEC 10x38 fuse links. Fuse holder compliant with IEC 60269-1 & 2, and tested in accordance with IEC 60947-1 & 3 for fuse disconnector usage



Nb of Pole / Width	MODULOSTAR® USFM Fuse holder and Fuse disconnector			Fonction	
	Catalog Number	Ref Number	Description	Fuse holder	Fuse disconnector
3 poles system / 45 mm width	USFM10	S302765	USFM10 FUSE HOL 3P 690V 32A EU	w/o Indicator	
	USFM10M	T302766	USFM10M FUSEHOL+MC3P690V32A EU		w/o Indicator
	USFM10I	W302768	USFM10I FUS.HOL3P+V 690V32A EU	with Indicator	
	USFM10MI	V302767	USFM10MI FUS.HOL3P+MC+V690V EU		with Indicator

Pack: 1 piece

Fuse holder is without Prebreaking Microswitch (see accessories)

Fuse disconnector is with mounted Prebreaking Microswitch

### ULTRASAFE USFMM

for Midget and IEC 10x38 fuse links. Fuse holder UL /CSA Recognized compliant with UL 512 and CSA 22-2, IEC 60269-1 & 2, and tested in accordance with IEC 60947-1 & 3 for fuse disconnector usage

Nb of Pole / Width	ULTRASAFE™ USFM Fuse holder and Fuse disconnector			Fonction	
	Catalog Number	Ref Number	Description	Fuse holder	Fuse disconnector
3 poles system / 45 mm width	USFMM	D302775	USFMM 3P 600V 30A UL	w/o Indicator	
	USFMMM	E302776	USFMMM 3P 600V 30A +MS UL		w/o Indicator
	USFMMI	G302778	USFMMI 3P 600V 30A +LIGHT UL	with Indicator	
	USFMMMI	F302777	USFMMMI 3P 600V 30A +LI+MS UL		with Indicator

Pack: 1 piece

Fuse holder is without Prebreaking Microswitch (see accessories)

Fuse disconnector is with mounted Prebreaking Microswitch

### Accessories

Description	Catalog Number	references Number	Number of systems interconnected	Maxi. RMS current (A)	Number of poles	Pckg
Lock	LOCK	M223525				1
Microswitch	USFMAC11	C302797	1		3	1
Additional Neutral jumping bars 3 phases			1			
Lateral incoming power supply	TBB23C	G210318	4	90	3	50
Axial incoming power supply	TBB23A	F210317		90		50
Interconnexion with SEI 30A Contactor			1		3	
Interconnexion with Rockwell 30A Contactor			1		3	
Interconnexion with SIEMENS 30A Contactor			1		3	
Interconnexion with ABB 30A Contactor			1		3	
Interconnexion with GE 30A Contactor			1		3	

# Gears & Fuse Gears



## IEC General Purpose Fuses

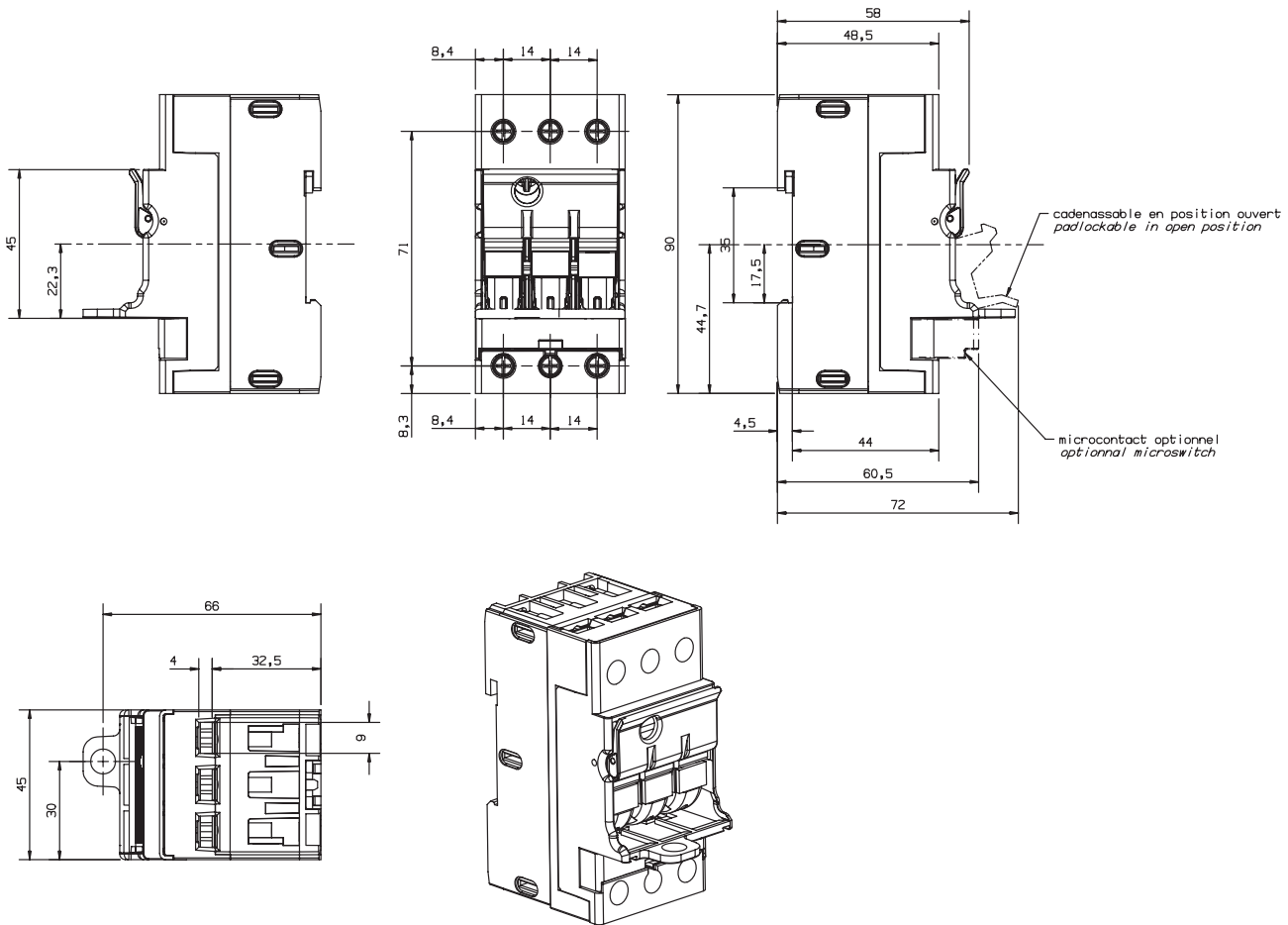
### Ferrule Fuses

### Modulostar® USFM10, UltraSafe™ USFMM



## USFM 10 - USFMM

### Dimensions



### Accessories

Description	Catalog Number	references Number	Number of systems interconnected	Maxi. RMS current (A)	Number of poles	Pckg
Lock	LOCK	M223525				1
Microswitch	USFMAC11	C302797	1		3	1
Additional Neutral jumping bars 3 phases			1			
Lateral incoming power supply	TBB23C	G210318	2	90	3	50
Axial incoming power supply	TBB23A	F210317		90		50
Interconnexion with SEI 30A Contactor			1		3	
Interconnexion with Rockwell 30A Contactor			1		3	
Interconnexion with SIEMENS 30A Contactor			1		3	
Interconnexion with ABB 30A Contactor			1		3	
Interconnexion with GE 30A Contactor			1		3	



# Gears & Fuse Gears

## IEC General Purpose Fuses Ferrule Fuses Modulostar® USFM10, UltraSafe™ USFMM

USFM10, USFMM

### Ferraz Shawmut Fuse usable in USFM\* for Motors protection

P . Motor	Motor Voltage	Ie Motor	AM	CC	GD	JTD
			IEC fuse links	UL listed	UL recognized	UL Listed $\leq$ 60A
4 kW	400/415V	9A	50 aM 10.10*	CC 15*	60 gD 14.12	AJT17.5
	500V	7A	50 aM 10.8*	CC 12*	60 gD 14.10	AJT15
	690V	5A	69 aM 10.6,3*	---	---	AJT10
5.5 kW	400/415V	12	50 aM 10.16*	CC 20*	60 gD 14.18	AJT20
	500V	10	50 aM 10.12*	CC 17*	60 gD 14.15	AJT17.5
	690V	7	69 aM 10.8*	---	---	AJT15
7.5 kW	400/415V	16	50 aM 10.20*	CC 25*	60 gD 14.25	AJT25
	500V	14	50 aM 10.16*	CC 25*	60 gD 14.20	AJT20
	690V	9	69 aM 10.10*	---	---	AJT17.5
11 kW	400/415V	23	50 aM 10.25*	---	60 gD 14.30	AJT40
13 kW	500V	20	50 aM 10.25*	CC 30*	60 gD 14.28	AJT35
10 kW	690V	12	69 aM 14.12	---	---	AJT20
15 kW	400/415V	30	40 aM 10.32	---	60 gD 22.35	AJT60
	500V	25	50 aM 10.25	---	60 gD 14.30	AJT45
	690V	18	69 aM 14.20	---	---	AJT30
18 kW	400/415V	37	50 aM 14.40	---	60 gD 22.55	---
to	500V	30	50 aM 14.32	---	60 gD 14.45	AJT60
20 kW	690V	21	69 aM 14.25	---	---	AJT335
22 kW	400/415V	43	50 aM 14.50	---	60 gD 22.60	---
25 kW	500V	38	50 aM 14.40	---	60 gD 22.50	---
22 kW	690V	25	69 aM 14.32	---	---	AJT45
28 kW	400/415V	54	50 aM 22.63	---	60 gD 27.80	---
32 kW	500V	47	50 aM 22.50	---	60 gD 22.60	---
28 kW	690V	30	69 aM 14.40	---	---	AJT60
32 kW	400/415V	60	50 aM 22.80	---	60 gD 27.100	---
37 kW	500V	55	50 aM 22.63	---	60 gD 27.80	---
32 kW	690V	34	69 aM 14.40	---	---	AJT60
40 kW	400/415V	72	50 aM 22.80	---	60 gD 27.100	---
45 kW	500V	67	50 aM 22.80	---	---	---
40 kW	690V	42	69 aM 14.50	---	---	---
45 kW	400/415V	85	50 aM 22.100	---	---	---
55 kW	500V	80	50 aM 22.100	---	---	---
55 kW	690V	49	69 aM 14.63	---	---	---

\* Respectively in USFM10-USFCC