



Semiconductor Fuses AC+DC Ferrule FuseHolders MODULOSTAR® USFM10 - ULTRASAFE™ USFMM

Three poles fuse holders and fuse disconnectors: USFM10 / USFMM

Electrical characteristics

Nominal Voltage Ui AC/DC	Voltage Isolation Uimp	Nominal Current	Max. power losses in the fuse links	Fuse links rating	Maxi RMS* Current for 1 Three poles system with FS fuse links. For 2 to 7 Three poles systems x by 0.9				Cable wire section (mm²) recommended
					6JX	ATM, SBS, GNF, GGU	ATO, OTM, TMR	URD / gRB	
690 V IEC 600V UL AC20B	6 kV	32 A	3 W	≤12	≤12	≤12	≤12	≤12	2.5
				16	16	16	16	16	2.5
				20	20	20	20	20	2.5
				25	25	25	25	25	4
				30			26	30	6
			32	32	32	27		6	

* Datas for ambiente temperature = 20°C.

Wire range : Rigid and Multistrand wire = 1- 4 mm² (18 - 10 AWG) - Maximum multistrand wire for each open lug = 2.6 mm² (12 AWG)

Maximum Tightening Torque : 1.5 Nm (13 lb-in)

Ferraz Shawmut recommends to use screwdrivers PZ 2 or Flat 5.5 x 0.8 mm (maximum diameter 6 mm)

IR with fuses : 120KA @ 500V IEC - 80KA @ 690V IEC - 80 KA @ 700V UL

MODULOSTAR® USFM10

for IEC 10x38 fuse links. Fuse holder compliant with IEC 60269-1 & 2, and tested in accordance with IEC 60947-1 & 3 for fuse disconnecter usage

Nb of Pole / Width	MODULOSTAR® USFM Fuse holder and Fuse disconnecter			Fonction	
	Catalog Number	Ref Number	Description	Fuse holder	Fuse disconnecter
3 poles system / 45 mm width	USFM10	S302765	USFM10 FUSE HOL 3P 690V 32A EU	w/o Indicator	
	USFM10M	T302766	USFM10M FUSEHOL+MC3P690V32A EU		w/o Indicator
	USFM10I	W302768	USFM10I FUS.HOL3P+V 690V32A EU	with Indicator	
	USFM10MI	V302767	USFM10MI FUS.HOL3P+MC+V690V EU		with Indicator

Pack: 1 piece

Fuse holder is without Prebreaking Microswitch (see accessories)

Fuse disconnecter is with mounted Prebreaking Microswitch



ULTRASAFE USFMM

for Midget and IEC 10x38 fuse links. Fuse holder UL /CSA Recognized compliant with UL 512 and CSA 22-2, IEC 60269-1 & 2, and tested in accordance with IEC 60947-1 & 3 for fuse disconnecter usage

Nb of Pole / Width	ULTRASAFE™ USFM Fuse holder and Fuse disconnecter			Fonction	
	Catalog Number	Ref Number	Description	Fuse holder	Fuse disconnecter
3 poles system / 45 mm width	USFMM	D302775	USFMM 3P 600V 30A UL	w/o Indicator	
	USFMMM	E302776	USFMMM 3P 600V 30A +MS UL		w/o Indicator
	USFMMI	G302778	USFMMI 3P 600V 30A +LIGHT UL	with Indicator	
	USFMMMI	F302777	USFMMMI 3P 600V 30A +LI+MS UL		with Indicator

Pack: 1 piece

Fuse holder is without Prebreaking Microswitch (see accessories)

Fuse disconnecter is with mounted Prebreaking Microswitch

Accessories

Description	Catalog Number	references Number	Number of systems interconnected	Maxi. RMS current (A)	Number of poles	Pckg
Lock	LOCK	M223525				1
Microswitch	USFMAC11	C302797	1		3	1
Additional Neutral jumping bars 3 phases			1			
			4		3	
Lateral incoming power supply	TBB23C	G210318		90		50
Axial incoming power supply	TBB23A	F210317		90		50
Interconnexion with SEI 30A Contactor			1		3	
Interconnexion with Rockwell 30A Contactor			1		3	
Interconnexion with SIEMENS 30A Contactor			1		3	
Interconnexion with ABB 30A Contactor			1		3	
Interconnexion with GE 30A Contactor			1		3	



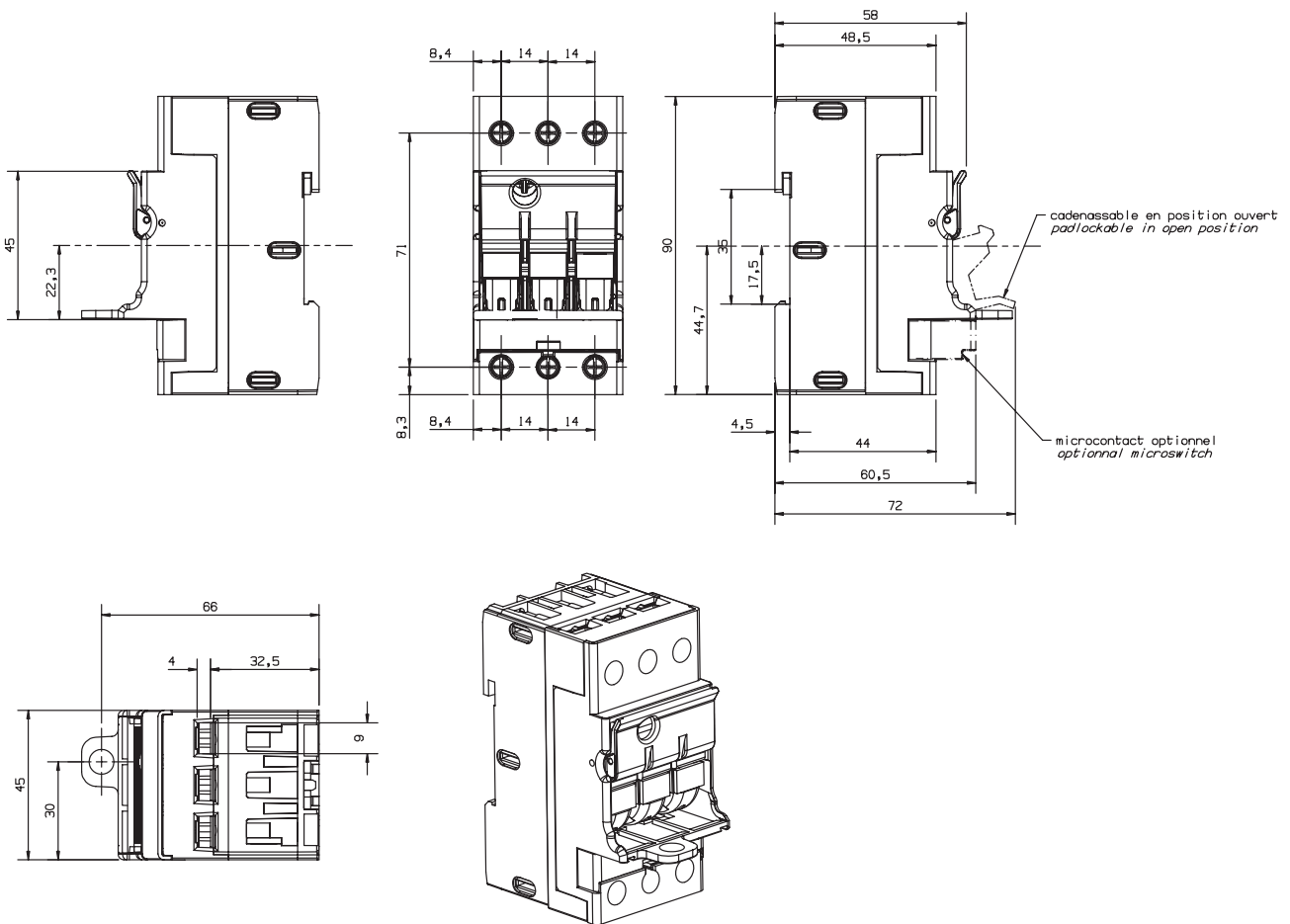
Gears & Fuse Gears

Semiconductor Fuses AC+DC Ferrule Fuse Holders MODULOSTAR® USFM10, UltraSafe USFMM



USFM 10 - USFMM - USFMMC

Dimensions



Accessories

Description	Catalog Number	references Number	Number of systems interconnected	Maxi. RMS current (A)	Number of poles	Pckg
Lock	LOCK	M223525				1
Microswitch	USFMAC11	C302797	1		3	1
Additional Neutral jumping bars 3 phases			1			
Lateral incoming power supply	TBB23C	G210318	2	90	3	50
Axial incoming power supply	TBB23A	F210317		90		50
Interconnexion with SEI 30A Contactor			1		3	
Interconnexion with Rockwell 30A Contactor			1		3	
Interconnexion with SIEMENS 30A Contactor			1		3	
Interconnexion with ABB 30A Contactor			1		3	
Interconnexion with GE 30A Contactor			1		3	