

IEC General Purpose Fuses Ferrule Fuses USFMCC (UltraSafe™)

UL three poles fuse holders: USFMCC

Fuse holder UL / CSA Listed compliant with UL 512 and CSA 22-2 and tested in accordance with IEC 60947-1 & 3 for fuse disconnecter usage

Electrical characteristics

Nominal Voltage Ui AC/DC	Voltage Isolation Uimp	Nominal Current	Max. power losses in the fuse links	Fuse links rating	Maxi RMS* Current for 1 USFM with FS fuse links For 2 to 7 USFM x by 0.9			Cable wire section (mm²) recommended
					ATDR	ATM	ATMR	
600V AC	8 kV	30 A	3 W	≤20	20	20	20	4
				25	25	25	25	
				30	30	30	30	

* Datas for ambiante temperature = 20°C.

Wire range : Rigid and Multistrand wire = 1- 4 mm² (18 - 10 AWG) - Maximum multistrand wire for each open lug = 2.6 mm² (12 AWG)

Maximum Tightening Torque : 1.5 Nm (13 lb-in)

Ferraz Shawmut recommends to use screwdrivers PZ 2 or Flat 5.5 x 0.8 mm (maximum diameter 6 mm)

IR with UL Class CC fuse links : 200KA @ 600V

ULTRASAFE™ USFMCC

for Class CC fuse links



Nb of Pole / Width	ULTRASAFE™ USFM Fuse holder and Fuse disconnecter			Fonction	
	Catalog Number	Ref Number	Description	Fuse holder	Fuse disconnecter
3 poles system / 45 mm width	USFMCC	P302762A	USFMCC 3 POLES 600V 30A UL	w/o Indicator	
	USFMCCM	B302796A	USFMCCM 3 POLES 600V 30A+M UL		w/o Indicator
	USFMCCI	Q302763A	USFMCCI 3 POLES 600V 30A LIGHT	with Indicator	
	USFMCCMI	R302764A	USFMCCMI 3POLES 600V 30A LI+MC		with Indicator

Pack: 1 piece

Fuse holder is without Prebreaking Microswitch (see accessories)

Fuse disconnecter is with mounted Prebreaking Microswitch

Accessories

Description	Catalog Number	references Number	Number of systems interconnected	Maxi. RMS current (A)	Number of poles	Pckg
Lock	LOCK	M223525				1
Microswitch	USFMAC11	C302797	1		3	1
jumping bars 3 phases			4		3	
Lateral incoming power supply	TBB23C	G210318		90		50
Axial incoming power supply	TBB23A	F210317		90		50
Interconnexion with SEI 30A Contactor			1		3	
Interconnexion with Rockwell 30A Contactor			1		3	
Interconnexion with SIEMENS 30A Contactor			1		3	
Interconnexion with ABB 30A Contactor			1		3	
Interconnexion with GE 30A Contactor			1		3	

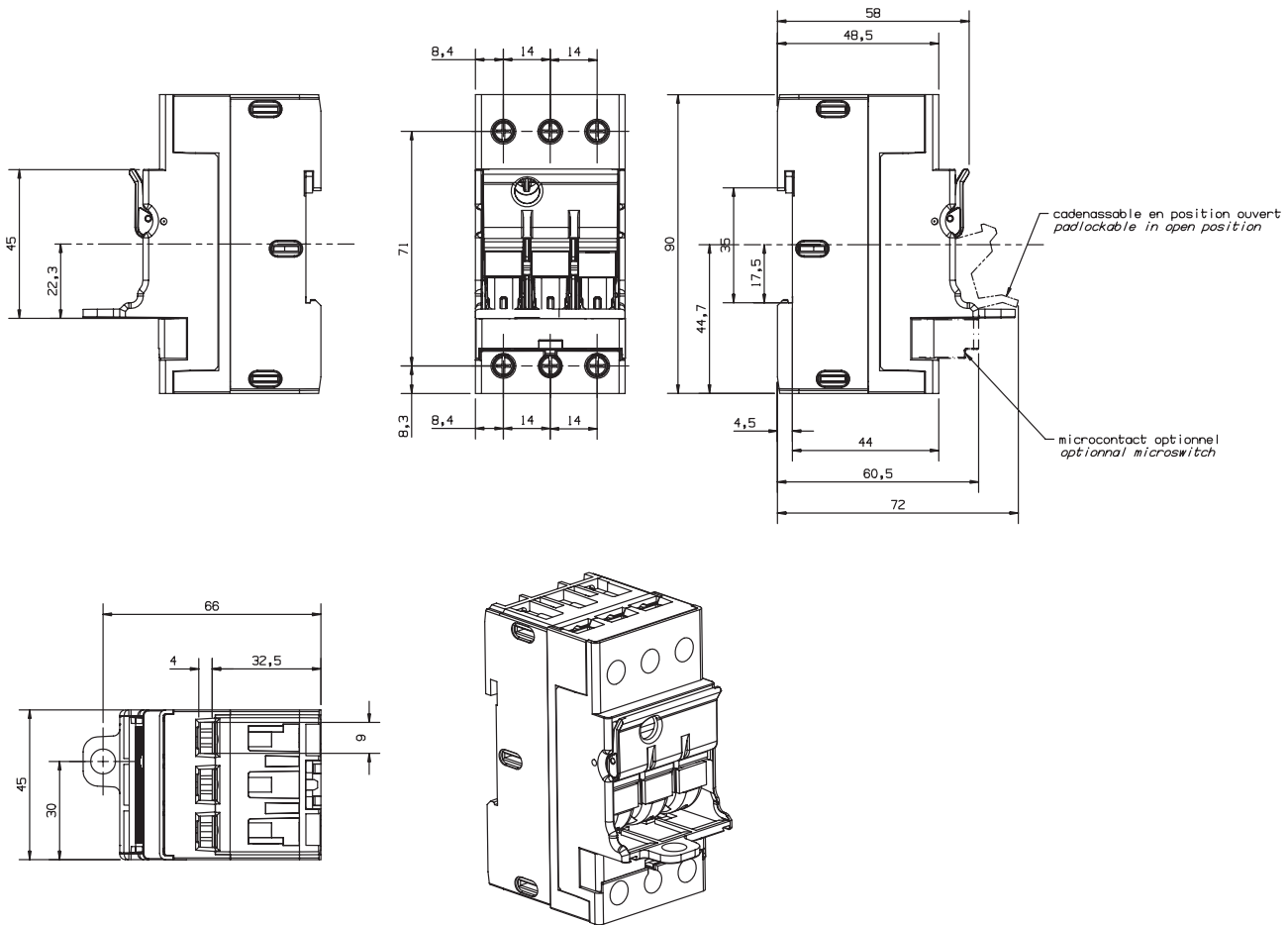
Gears & Fuse Gears



IEC General Purpose Fuses Ferrule Fuses USFMCC (UltraSafe™)

USFMCC

Dimensions



Accessories

Description	Catalog Number	references Number	Number of systems interconnected	Maxi. RMS current (A)	Number of poles	Pckg
Lock	LOCK	M223525				1
Microswitch	USFMAC11	C302797	1		3	1
Additional Neutral jumping bars 3 phases			1			
Lateral incoming power supply	TBB23C	G210318	2	90	3	50
Axial incoming power supply	TBB23A	F210317		90		50
Interconnexion with SEI 30A Contactor			1		3	
Interconnexion with Rockwell 30A Contactor			1		3	
Interconnexion with SIEMENS 30A Contactor			1		3	
Interconnexion with ABB 30A Contactor			1		3	
Interconnexion with GE 30A Contactor			1		3	



Gears & Fuse Gears

IEC General Purpose Fuses Ferrule Fuses USFMCC (UltraSafe™)

USFMCC

Ferraz Shawmut Fuse usable in USFM* for Motors protection

P . Motor	Motor Voltage	Ie Motor	AM	CC	GD	JTD
			IEC fuse links	UL listed	UL recognized	UL Listed _{≤ 60A}
4 kW	400/415V	9A	50 aM 10.10*	CC 15*	60 gD 14.12	AJT17.5
	500V	7A	50 aM 10.8*	CC 12*	60 gD 14.10	AJT15
	690V	5A	69 aM 10.6,3*	---	---	AJT10
5.5 kW	400/415V	12	50 aM 10.16*	CC 20*	60 gD 14.18	AJT20
	500V	10	50 aM 10.12*	CC 17*	60 gD 14.15	AJT17.5
	690V	7	69 aM 10.8*	---	---	AJT15
7.5 kW	400/415V	16	50 aM 10.20*	CC 25*	60 gD 14.25	AJT25
	500V	14	50 aM 10.16*	CC 25*	60 gD 14.20	AJT20
	690V	9	69 aM 10.10*	---	---	AJT17.5
11 kW	400/415V	23	50 aM 10.25*	---	60 gD 14.30	AJT40
13 kW	500V	20	50 aM 10.25*	CC 30*	60 gD 14.28	AJT35
10 kW	690V	12	69 aM 14.12	---	---	AJT20
15 kW	400/415V	30	40 aM 10.32	---	60 gD 22.35	AJT60
	500V	25	50 aM 10.25	---	60 gD 14.30	AJT45
	690V	18	69 aM 14.20	---	---	AJT30
18 kW	400/415V	37	50 aM 14.40	---	60 gD 22.55	---
to	500V	30	50 aM 14.32	---	60 gD 14.45	AJT60
20 kW	690V	21	69 aM 14.25	---	---	AJT335
22 kW	400/415V	43	50 aM 14.50	---	60 gD 22.60	---
25 kW	500V	38	50 aM 14.40	---	60 gD 22.50	---
22 kW	690V	25	69 aM 14.32	---	---	AJT45
28 kW	400/415V	54	50 aM 22.63	---	60 gD 27.80	---
32 kW	500V	47	50 aM 22.50	---	60 gD 22.60	---
28 kW	690V	30	69 aM 14.40	---	---	AJT60
32 kW	400/415V	60	50 aM 22.80	---	60 gD 27.100	---
37 kW	500V	55	50 aM 22.63	---	60 gD 27.80	---
32 kW	690V	34	69 aM 14.40	---	---	AJT60
40 kW	400/415V	72	50 aM 22.80	---	60 gD 27.100	---
45 kW	500V	67	50 aM 22.80	---	---	---
40 kW	690V	42	69 aM 14.50	---	---	---
45 kW	400/415V	85	50 aM 22.100	---	---	---
55 kW	500V	80	50 aM 22.100	---	---	---
55 kW	690V	49	69 aM 14.63	---	---	---

* Respectively in USFM10-USFCC