



Page 12-2

AC FUSE HOLDERS

- Version without indicator: 1P, 1P+N, 2P, 3P, 3P+N
- Version with indicator: 1P
- For fuses 10x38, 14x51 and 22x58mm IEC class gG or aM.
- Rated current: 32A, 50A, 125A
- Rated voltage: 690VAC.



Page 12-2

AC FUSE HOLDERS CLASS CC FOR NORTH AMERICAN MARKET

- Version without indicator: 1P, 2P, 3P
- Version with indicator: 1P
- For 10x38mm UL/CSA class CC fuses
- Rated current: 30A
- Rated voltage: 600VAC.



Page 12-3

DC FUSE HOLDERS FOR PHOTOVOLTAIC APPLICATIONS

- Version without indicator: 1P, 2P
- Version with indicator: 1P, 2P
- For 10x38mm IEC class gPV fuses
- Rated current: 32A
- Rated voltage: 1000VDC
- IEC utilisation category: DC20B.



Page 12-3

DC FUSES FOR PHOTOVOLTAIC APPLICATIONS

- 10x38mm, IEC class gPV
- Rated current: 20A
- Rated voltage: 1000VDC.

Majestic Global Ltd.
万高宝有限公司



Tel: (852)2307 8933 或 1500 204 2004(中国热线) Fax: (852)2307 8950

Email: info@mgl.com.hk Website: www.mgl.com.hk

Address: 中国香港新界沙田安平街八号伟达中心1207-8室

香港 | 深圳 | 广州 | 北京 | 上海 | 武汉 | 西安



- Modular size for 10x38, 14x51 and 22x58mm fuses
- Finger safe - IP20 IEC degree of protection against accidental contact with live parts and with sealable cover for operators' safety
- Version with status indicator to quickly determine if the fuse is still operative or needs to be replaced
- UL and CSA certified versions.

	SEC. - PAGE
Fuse holders	
AC fuse holders.....	12 - 2
DC fuse holders for photovoltaic applications.....	12 - 3
Fuses for photovoltaic applications	12 - 3
Accessories	12 - 3
Dimensions	12 - 4
Wiring diagrams	12 - 4
Technical characteristics	12 - 5

Fuse holders UL Recognized and CSA certified



new



Order code	Pole arrangement	Status indicator	DIN size	Qty per pkg	Wt [kg]
			n°	n°	[kg]

For 10x38mm fuses.
32A rated current at 690VAC.

FB01 A 1P	1P	—	1	12	0.066
FB01 A 1PL	1P	YES	1	12	0.065
FB01 A 1M	1P+N	—	1	12	0.062
FB01 A 1N	1P+N	—	2	6	0.134
FB01 A 2P	2P	—	2	6	0.132
FB01 A 3P	3P	—	3	4	0.188
FB01 A 3N	3P+N	—	4	3	0.260

For 14x51mm fuses.
50A rated current at 690VAC.

FB02 A 1P	1P	—	1	12	0.113
FB02 A 1PL	1P	YES	1	12	0.114
FB02 A 1N	1P+N	—	2	6	0.237
FB02 A 2P	2P	—	2	6	0.224
FB02 A 3P	3P	—	3	4	0.335
FB02 A 3N	3P+N	—	4	3	0.460

For 22x58mm fuses.
125A rated current at 690VAC.

FB03 A 1P	1P	—	1	12	0.167
FB03 A 1PL	1P	YES	1	12	0.167
FB03 A 1N	1P+N	—	2	6	0.354
FB03 A 2P	2P	—	2	6	0.334
FB03 A 3P	3P	—	3	4	0.500
FB03 A 3N	3P+N	—	4	3	0.720

ⓘ Not certified.

Operational characteristics

- IEC rated voltage U_e :
 - 690VAC (FB01 A 1M excluded)
 - 400VAC (FB01 A 1M only)
- IEC rated current I_e :
 - FB01 A: 32A
 - FB02 A: 50A
 - FB03 A: 125A
- IEC utilisation category:
 - FB01 A: AC22B 500V, AC21B 690V (except FB01 A 1M: AC22B 400V)
 - FB02 A: AC22B 500V, AC21B 690V
 - FB03 A: AC21B 690V
- Suitable for IEC fuse class: gG and aM
- IEC degree of protection: IP20.

Certifications and compliance

Certifications obtained:

Type	UL Recognized for USA (File E343395)	CSA certified (File 252040 class 6225)	UL Recognized for USA and Canada (File E343395)
FB01 A 1P, FB01 A 1PL, FB01 A 1N	●	●	—
FB02 A...	—	—	●
FB03 A...	—	—	●

● Certification obtained.

“UL Recognized”: Products having this type of marking are intended for use as components of complete workshop-assembled equipment.

Compliant with standards: IEC/EN 60269-1, IEC/EN 60269-2, IEC/EN 60947-1, IEC/EN 60947-3, UL 4248-1, UL 4248-4, CSA C22.2 n°4248.1, CSA C22.2 n°4248.4.

Fuse holders



new

Order code	Pole arrangement	Status indicator	DIN size	Qty per pkg	Wt [kg]
			n°	n°	[kg]

For 10x38mm fuses.
32A rated current at 690VAC.

FB01 B 1P	1P	—	1	12	0.062
FB01 B 1PL	1P	YES	1	12	0.064
FB01 B 1N	1P+N	—	2	6	0.127
FB01 B 2P	2P	—	2	6	0.128
FB01 B 3P	3P	—	3	4	0.185
FB01 B 3N	3P+N	—	4	3	0.247

Operational characteristics

- IEC rated voltage U_e : 690VAC
- IEC rated current I_e : 32A
- IEC utilisation category: AC22B 500V, AC21B 690V
- Suitable for IEC fuse class: gG and aM
- IEC degree of protection IP20.

Reference standards

Compliant with standards: IEC/EN 60947-1, IEC/EN 60947-3, IEC/EN 60269-1, IEC/EN 60269-2.

Fuse holders UL Listed and CSA certified for class CC fuses for North American market



new

Order code	Pole arrangement	Status indicator	DIN size	Qty per pkg	Wt [kg]
			n°	n°	[kg]

For 10x38mm fuses.
30A rated current at 600VAC.

FB01 C 1P	1P	—	1	12	0.070
FB01 C 1PL	1P	YES	1	12	0.072
FB01 C 2P	2P	—	2	6	0.140
FB01 C 3P	3P	—	3	4	0.210

NOTE: UL Listed and CSA certified as “Fuseholders, Cartridge Fuse” for use with Class CC fuses. Interrupting rating 200,000 Amps rms symmetrical. Voltage rating 600V. Current rating 30A.

Operational characteristics

- IEC rated voltage U_e : 600VAC
- IEC rated current I_e : 30A
- IEC utilisation category: AC22B 500V, AC21B 690V
- Suitable for UL/CSA fuse class: CC
- IEC degree of protection IP20.

Certifications and compliance

Certifications obtained: UL Listed (File E343395) and CSA certified (File 252040 class 6225).
Compliant with standards: IEC/EN 60269-1, IEC/EN 60269-2, IEC/EN 60947-1, IEC/EN 60947-3, UL 4248-1, UL 4248-4, CSA C22.2 n°4248.1, CSA C22.2 n°4248.4.

Fuse holders

DC fuse holders for photovoltaic applications.

Accessories

Fuse holders for photovoltaic applications



FB01 D...

FB01 D 1PL



Order code	Pole arrangement	Status indicator	DIN size	Qty per pkg	Wt
			n°	n°	[kg]

For 10x38mm fuses.
32A rated current at 1000VDC.

FB01 D 1P	1P	—	1	12	0.064
FB01 D 1PL	1P	YES	1	12	0.065
FB01 D 2P	2P	—	2	6	0.127
FB01 D 2PL	2P	YES	2	6	0.130

Operational characteristics

- IEC rated voltage Ue: 1000VDC
- IEC rated current Ie: 32A
- IEC utilisation category: DC20B 1000VDC
- Suitable for IEC fuse class: gPV
- IEC degree of protection: IP20.

Reference standards

Compliant with standards: IEC/EN 60269-1, IEC/EN 60269-2, IEC/EN 60947-1, IEC/EN 60947-3.

Fuses for photovoltaic applications



FE01 D...



Order code	Rated current I _n	Qty per pkg	Wt
	[A]	n°	[kg]

For 10x38mm fuses.
30kA breaking capacity at 1000VDC.

FE01 D 00200	2	10	0.008
FE01 D 00400	4	10	0.008
FE01 D 00600	6	10	0.008
FE01 D 00800	8	10	0.008
FE01 D 01000	10	10	0.008
FE01 D 01200	12	10	0.008
FE01 D 01600	16	10	0.008
FE01 D 02000	20	10	0.008

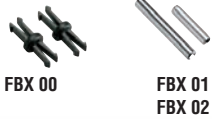
Operational characteristics

- IEC rated voltage Ue: 1000VDC
- IEC rated current Ie: 2-20A
- IEC fuse class: gPV.

Reference standards

Compliant with standards: IEC/EN 60269-6.

Accessories



FBX 00

FBX 01
FBX 02



FBX 05



FBX 07

FBX 08



FBX 11

Order code	Description	Qty per pkg	Wt
	[A]	n°	[kg]
FBX 00 ❶	Coupling clip for 10x38, 14x51 and 22x58mm sizes❶	100	0.003
FBX 01 ❶	Coupling pin for 10x38mm size❶	100	0.005
FBX 02	Coupling pin for 14x51 and 22x58mm sizes	100	0.008

For FB01 A... and FB01 B... types.

FBX 05	Three-phase connection busbar, for 57 modules in total, 1m/3.3ft long	10	0.465
FBX 07	One-pole terminal for 25mm ² max conductor	25	0.010
FBX 08	One-pole terminal for 50mm ² max conductor	25	0.020
FBX 11	End cap for FBX05 busbar	50	0.001

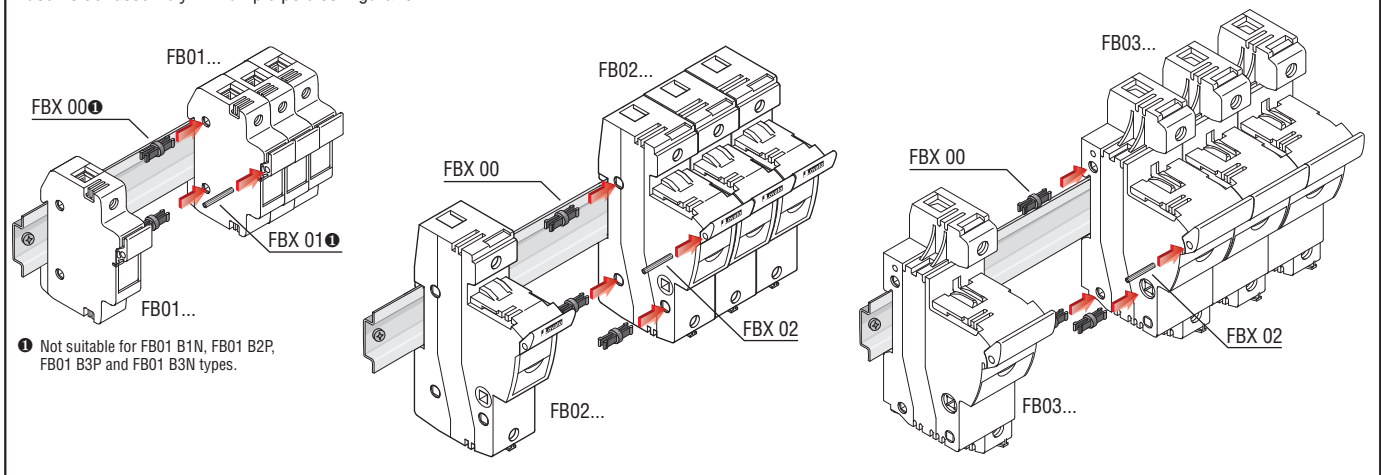
❶ Not suitable for FB01 B1N, FB01 B2P, FB01 B3P and FB01 B3N types.

General and operational characteristics

THREE-PHASE BUSBAR

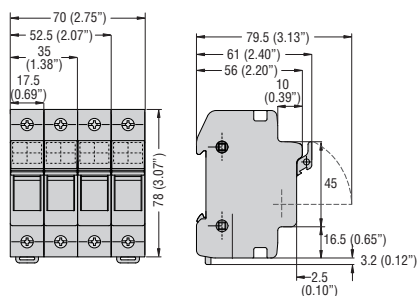
- Central point of power supply: 130A max
- Side point of power supply: 80A max
- Pitch: 18mm/0.7in
- Busbar section: 10mm²
- Number of modules/poles: 57
- For paralleling connection
- Length (standard supplied): 1m/3.3ft which can be cut in shorter sections.

Fuse holder assembly in multiple pole configuration

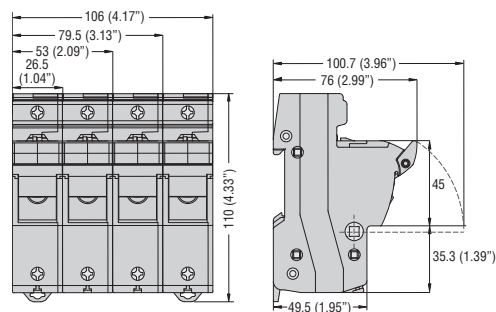


FUSE HOLDERS

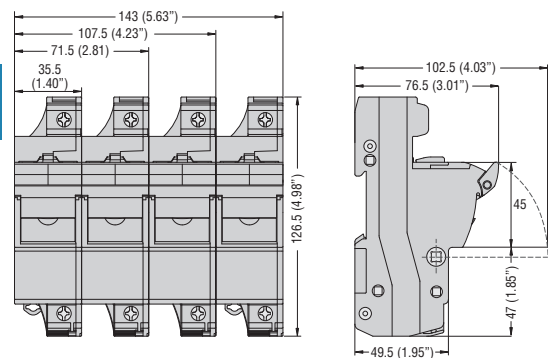
FB01 A... FB01 B... FB01 C... FB01 D...



FB02 A...

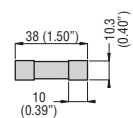


FB03 A...

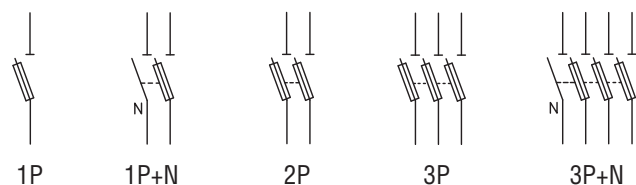


FUSES

FE01 D 0...



Wiring diagrams



TYPE	FB01 A...	FB01 B...	FB02 A...	FB03 A...	FB01 C...	FB01 D...
Range	AC				Class CC (AC)	DC
IEC maximum rated current I _n	32A		50A	125A	30A	32A
IEC maximum rated voltage U _n	690VAC; 400VAC ①		690VAC		600VAC	1000VDC
IEC utilisation category	AC22B 500V; AC21B 690V; AC22B 400V ①			AC21B 690V	AC22B 500V; AC21B 690V	DC20B 1000VDC
Maximum power dissipation	3W		5W	9.5W	3W	4W
Derating factor of current I _n for different ambient temperatures	20°C	1				
	30°C	0.95				
	40°C	0.9				
	50°C	0.8				
	60°C	0.7				
	70°C	0.5				
Derating factor of current I _n for side-by-side fuse holders - n° poles	1-4	1				
	5-6	0.8				
	7-9	0.7				
	≥10	0.6				
Voltage for status indicator	120...690VAC		230...690VAC		120...600VAC	350...1000VDC

CONNECTIONS

Maximum tightening torque		2.5Nm; 2Nm ① / 22lbin	3Nm / 26lbin	4Nm / 35lbin	2.5Nm / 22lbin	
Maximum conductor cross section	flexible/stranded	1x16mm ² ; 1-16mm ² ① / 8AWG	1x25mm ² / 6AWG	1x35mm ² / 2AWG	1x16mm ² / 8AWG	1x16mm ² / 6AWG
	rigid/solid	1x25mm ² ; 1-10mm ² ① / 8AWG	1x35mm ² / 8AWG	1x50mm ² / 1AWG	1x25mm ² / 10AWG	1x25mm ² / 4AWG

AMBIENT CONDITIONS

Operating temperature	-20...+70°C
Storage temperature	-40...+80°C
Maximum altitude	3,000m
Operation position	Any
Fixing	On 35mm DIN rail (IEC/EN 60715)

① Values valid only for FB01 A 1M type.

TECHNICAL CHARACTERISTICS FOR FE01 D... FUSES

TYPE	Rated current [A]	Power consumption at 0.7 I _n [W]	Power consumption at I _n [W]	Preacting I ² t [A ² s]	Total I ² t at 1000VDC [A ² s]
FE01 D 00200	2	0.62	1.54	1.78	6.5
FE01 D 00400	4	0.73	1.84	3	11
FE01 D 00600	6	0.96	2.4	8.5	32
FE01 D 00800	8	1.02	2.55	25	93
FE01 D 01000	10	1.03	2.58	11	52
FE01 D 01200	12	1.04	2.6	25	116
FE01 D 01600	16	1.08	2.7	33	152
FE01 D 02000	20	1.16	2.9	85	390

TIME-CURRENT CHARACTERISTICS FOR FE01 D... FUSES

