



CONQUER Fuse Clips

CONQUER Fuse Clips Are Professional Designed For Varies Of Circuits And Fusing Applications. These Clips Are Available In Several Finishing's And Base Materials Which Meet Specific Current, Strength, And Conductivity Requirements.

Specification Guide Codes:

A= Item Number

B= Metal Material

C= Material Thickness (mm)

D= Suitable Rated Current

Option Finish Selecting:

N= Nickel Plating

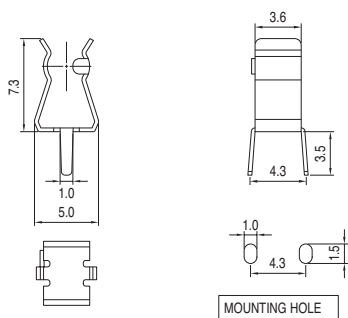
S= Silver Plating

(To Order Add **N** or **S** e.g. **CQ-205B N**)

P.C. BOARD MOUNT FUSE CLIPS FOR 3.6 mm DIAMETER FUSES



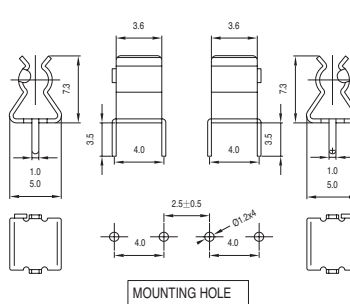
CQ-301A



B: Spring Brass
C: 0.3t
D: 6.3A
Bright Tin Plated
Ear Type



CQ-301B

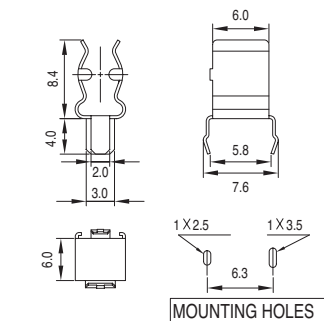


B: Spring Brass
C: 0.4t
D: 10A
Bright Tin Plated
Ear Type

P.C. BOARD MOUNT FUSE CLIPS FOR 5 mm DIAMETER FUSES



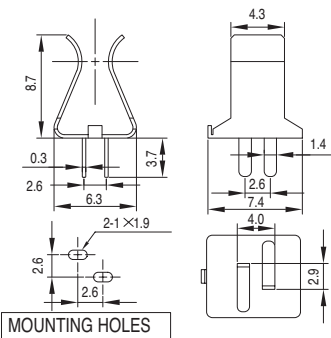
CQ-203B



B: Phosphor Bronze
C: 0.4t
D: 10A
Bright Tin Plated
Ear Type



CQ-203D



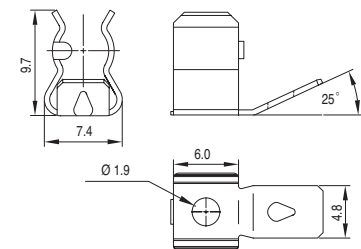
B: Spring Brass
C: 0.3t
D: 6.3A
Bright Tin Plated

55

Conquer Electronics Co., Ltd.



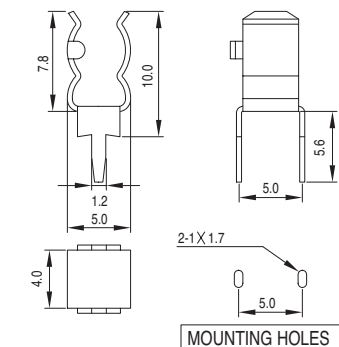
CQ-203E



B: Phosphor Bronze
C: 0.5t
D: 15A
Bright Tin Plated
Ear Type



CQ-203H



B: Spring Brass
C: 0.4t
D: 6.3A
Bright Tin Plated

Specification Guide Codes:

A= Item Number

B= Metal Material

C= Material Thickness (mm)

D= Suitable Rated Current

Beryllium Copper Recommended For Current Higher Than 10A To Order Add " Q " e.g. CQ-203S Q

Option Finish Selecting:

N= Nickel Plating

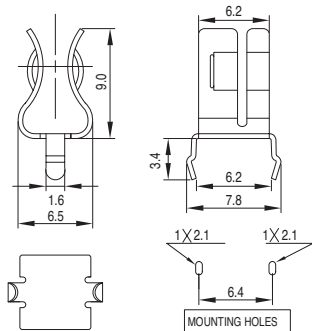
S= Silver Plating

(To Order Add N or S e.g. CQ-205B N)

P.C. BOARD MOUNT FUSE CLIPS FOR 5 mm DIAMETER FUSES



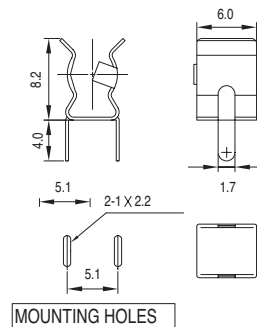
CQ-203K



B: Phosphor Bronze
C: 0.4t
D: 10A
Bright Tin Plated



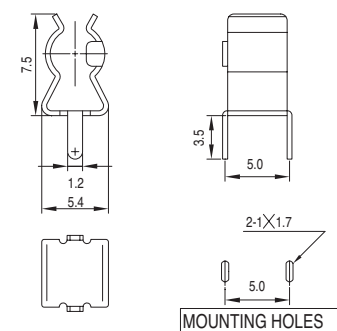
CQ-203LR



B: Phosphor Bronze
C: 0.3t
D: 10A
Bright Tin Plated
Ear Type



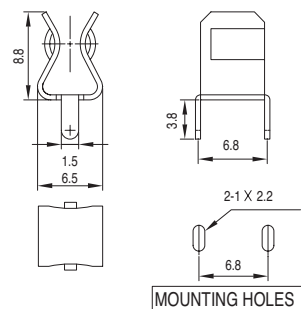
CQ-203P



B: Spring Brass
C: 0.4t
D: 10A
Bright Tin Plated
Ear Type



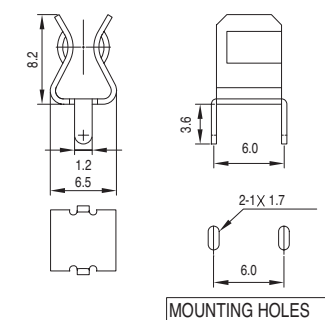
CQ-203S



B: Spring Brass
C: 0.5t
D: 10A
Bright Tin Plated
Ear Type



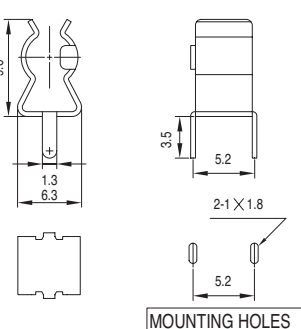
CQ-203SF



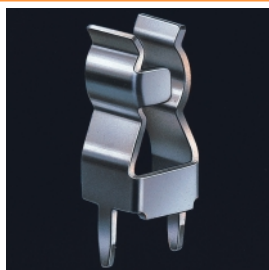
B: Spring Brass
C: 0.4t
D: 10A
Bright Tin Plated
Ear Type



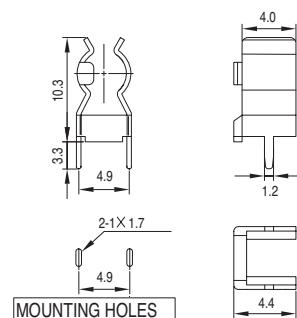
CQ-203SP



B: Spring Brass
C: 0.4t
D: 10A
Bright Tin Plated
Ear Type



CQ-203T

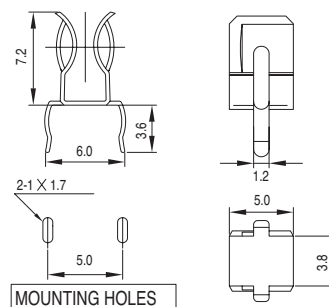


B: Spring Brass
C: 0.4t
D: 10A
Bright Tin Plated
Ear Type



CQ-450

For 4.5 or 5mm Dia. Fuses



B: Phosphor Bronze
C: 0.4t
D: 10A
Bright Tin Plated
Ear Type

Specification Guide Codes:

A= Item Number

B= Metal Material

C= Material Thickness (mm)

D= Suitable Rated Current

* Beryllium Copper Recommended For Current Higher Than 15A To Order Add " Q " e.g. **CQ-205S Q**

Option Finish Selecting:

N= Nickel Plating

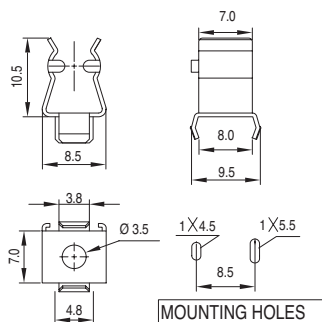
S= Silver Plating

(To Order Add **N** or **S** e.g. **CQ-205B N**)

P.C. BOARD MOUNT FUSE CLIPS FOR 1/4" (6.3mm) DIAMETER FUSES



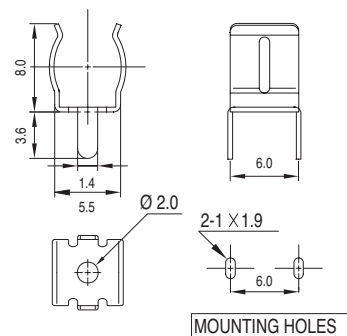
CQ-205B



B: Spring Brass
C: 0.5t
D: 15A
 Bright Tin Plated
 Ear Type



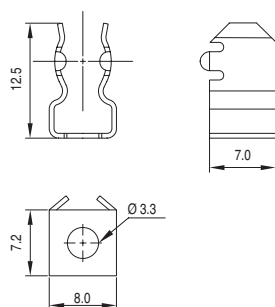
CQ-205D



B: Spring Brass
C: 0.4t
D: 15A
 Bright Tin Plated
 Earless Type



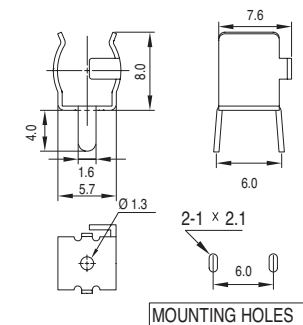
CQ-205E



B: Phosphor Bronze
C: 0.5t
D: 15A
 Bright Tin Plated
 Ear Type



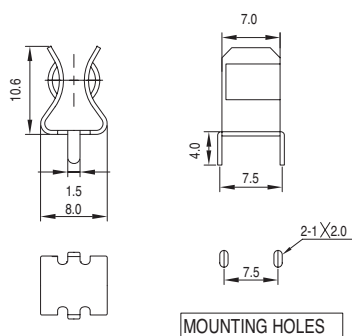
CQ-205DH



B: Spring Brass
C: 0.4t
D: 15A
 Bright Tin Plated
 Ear Type



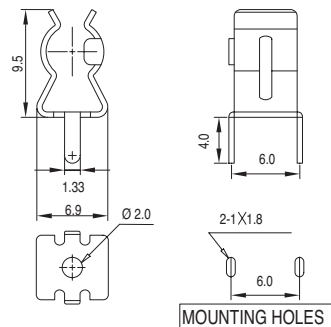
CQ-205S



B: Spring Brass
C: 0.5t
D: 15A
 Bright Tin Plated
 Ear Type



CQ-205SPP



B: Phosphor Bronze
C: 0.5t
D: 15A
 Bright Tin Plated
 Ear Type

Specification Guide Codes:

A= Item Number

B= Metal Material

C= Material Thickness (mm)

D= Suitable Rated Current

Beryllium Copper Recommended For Current Higher Than 30A To Order Add " CQ " e.g. CQ-111 CQ

Option Finish Selecting:

N= Nickel Plating

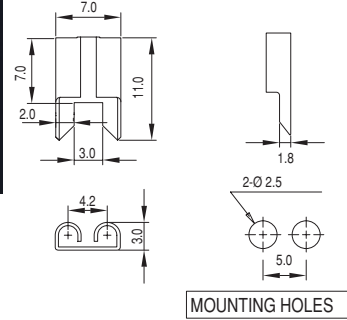
S= Silver Plating

(To Order Add N or S e.g. CQ-205B N)

P.C. BOARD MOUNT SPECIAL FUSE CLIPS



CQ-111
For Blade Auto Fuses ATQ Type

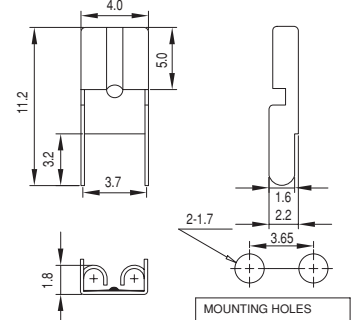


B: Spring Brass
C: 0.35t
D: 15A
Bright Tin Plated

MOUNTING HOLES

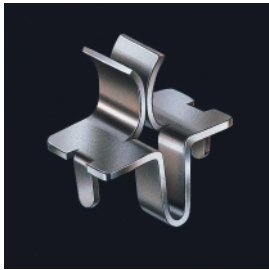


CQ-112
For AST Mini Blade Type Fuses

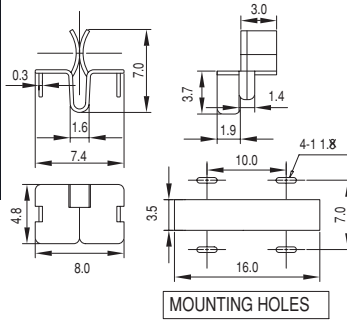


B: Spring Brass
C: 0.3t
D: 15A
Bright Tin Plated

MOUNTING HOLES



CQ-113
For AST Mini Blade Type Fuses

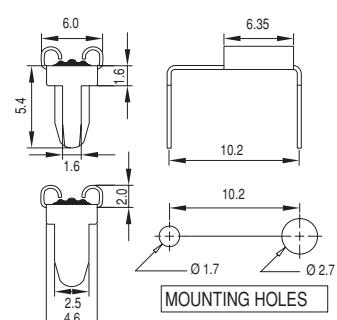


B: Spring Brass
C: 0.3t
D: 15A
Bright Tin Plated

MOUNTING HOLES



CQ-114
For ATQ Blade Horizontal Clip

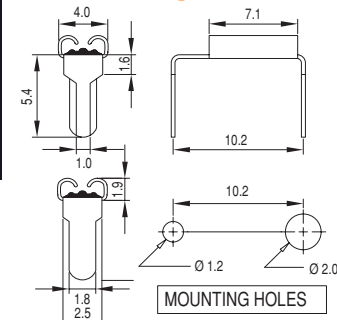


B: Spring Brass
C: 0.3t
D: 15A
Bright Tin Plated

MOUNTING HOLES

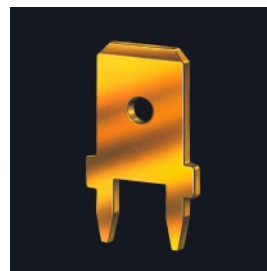


CQ-115
For AST Mini Blade Horizontal Clip

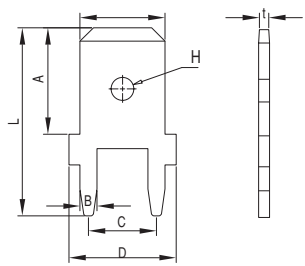


B: Spring Brass
C: 0.3t
D: 15A
Bright Tin Plated

MOUNTING HOLES



CQ-200D
Terminal Car Fuse

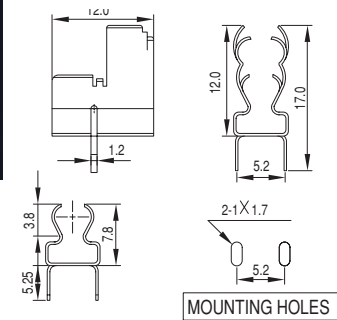


B: Copper
D: 10A
*Finish : Non-Plated
(1/4" Terminals)

ITEM NO.	W	L	A	B	C	D	t	H
CQ-200D	6.35	14.0	7.92	1.27	5.05	7.9	0.8	1.7

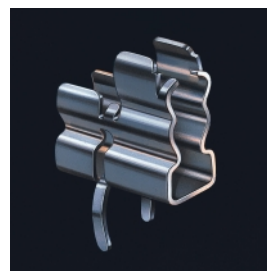


CQ-218-A
Multi-Clip For 5mm/6.3mm Dia. Fuses

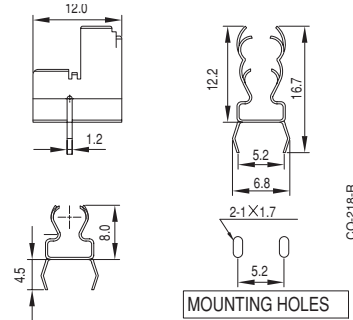


B: Phosphor Bronze
C: 0.4t
D: 10A
Bright Tin Plated
Ear Type

MOUNTING HOLES



CQ-218-R
Multi-Clip For 5mm/6.3mm Dia. Fuses



B: Phosphor Bronze
C: 0.4t
D: 10A
Bright Tin Plated
Ear Type

MOUNTING HOLES

CQ-218-R



CONQUER Fuse Clips

Specification Guide Codes:

A= Item Number

B= Metal Material

C= Material Thickness (mm)

D= Suitable Rated Current

Option Finish Selecting:

N= Nickel Plating

S= Silver Plating

(To Order Add **N** or **S** e.g. **CQ-216 N**)



CONQUER Fuse Blocks

Specification Guide Codes:

A= Item Number

B= Insertion & Extraction Force

C= Dielectric Strength For 60 Sec

D= Suitable Rated Current

E= Insulation Resistance At500VDC

F= Temperature Rise

G= Voltage Drop

• Special Design Also Available. For Details Please Contact Factory.

• Use UL Approved Materials

• Low Cost

• Low Contact Resistance

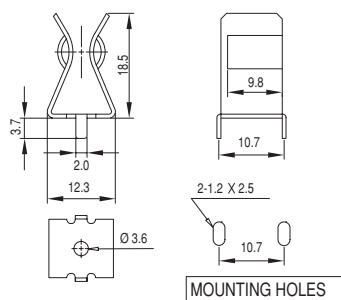
• Flame Retardant.

* Beryllium Copper Recommended For Current Higher Than 30A
To Order Add " CQ " e.g. **CQ-121 CQ**

P.C. BOARD MOUNT SPECIAL FUSE CLIPS



CQ-216
For 10.3mm Dia. Fuses



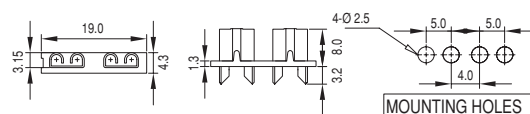
B: Spring Brass
C: 0.7t
D: 30A
24Kt. Gold Plated
Supply With Tin Plated Ear Type

FOR BLADE AUTO FUSES BLOCKS

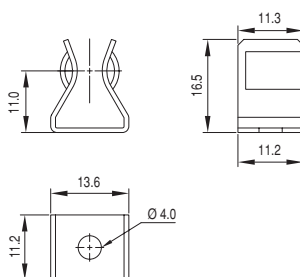


CQ-121
For ATQ Blade Type Fuses

B: 1Kg.Min.
C: AC500V Min.
D: 15A250V
E: 100MΩ Min
F: 50oC Max.
G: 20mV Max.



CQ-216E
Mounts W/4mm Rivet or Screw For 10.3mmDia. Fuses

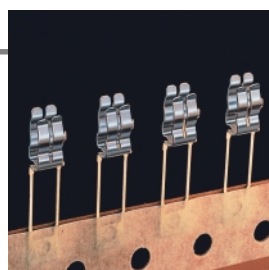
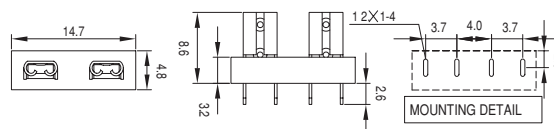


B: Spring Brass
C: 0.8t
D: 60A
24Kt. Gold Plated
Ear Type

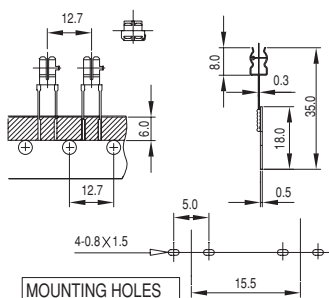


CQ-122
For AST Mini Blade Type Fuses

B: 1Kg.Min.
C: AC500V Min.
D: 15A250V
E: 100MΩ Min
F: 50oC Max.
G: 20mV Max.



CQ-05CT
Tape/Reel For 5mm Dia. Fuses



B: Phosphor Bronze
C: 0.3t
D: 10A
Bright Tin Plated