

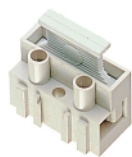


CONQUER Fuse Terminal Blocks

Specification Guide Codes:

Current Rating: Fuse holder 13A, Terminal 13A
Voltage Rating: Fuse holder 250VAC, Terminal 450VAC
Working: temperature 125°C (Short period 170°C)
Moulding: Polyimide 66 UL94-V0 Flame retardent
Terminal: Brass nickel plated
Screws: M3 7 microns zinc Colour passivated & tropicalised
Wire: UP TO 4mm Wire Acceptance

FUSE TERMINAL BLOCKS FOR 5 x 20mm FUSES



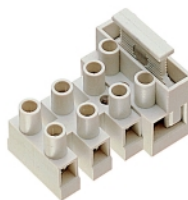
CQ-FTBN1



CQ-FTBN2



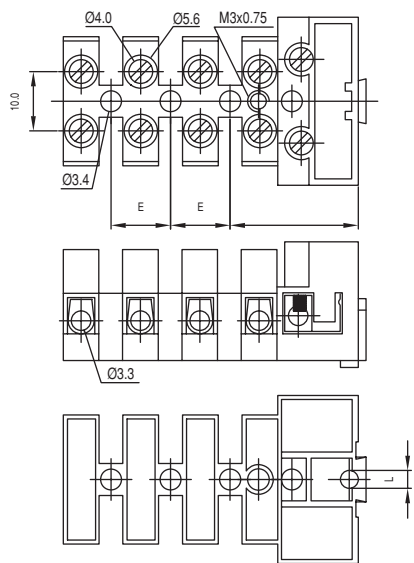
CQ-FTBN3



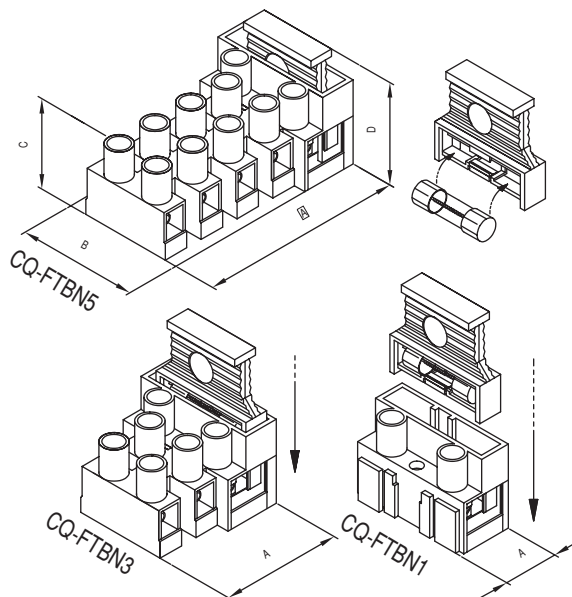
CQ-FTBN4



CQ-FTBN5



Specification



75 TECHNICAL DATE

RATING (TERMINAL BLOCK)	RATING (FUSES HOLDER)	DISSIPATED POWER	FUSE SIZE
2.5 mm ²	2.5 mm ²	3W	5X20mm
10A 380V	6.3A 250V		

DIMENSIONS

MARK	A	B	C	D	E	G	LØ
CQ-FTBN1 POLES	16	28	20	27.5	10 ±0.2	20	3 ±0.2
CQ-FTBN2 POLES	20.5	28	20	27.5	10 ±0.2	20	3 ±0.2
CQ-FTBN3 POLES	30.5	28	20	27.5	10 ±0.2	20	3 ±0.2
CQ-FTBN4 POLES	40.5	28	20	27.5	10 ±0.2	20	3 ±0.2
CQ-FTBN5 POLES	50.5	28	20	27.5	10 ±0.2	20	3 ±0.2